



# RFU-433-RU400 User Manual

**433 MHz RS-232/RS-485 Wireless Modem**

Dec. 2019, Version 1.00



## **Warranty**

---

All products manufactured by ICP DAS are warranted against defective materials for a period of one year from the date of delivery to the original purchaser.

## **Warning**

---

ICP DAS assumes no liability for damages consequent to the use of this product. ICP DAS reserves the right to change this manual at any time without notice. The information furnished by ICP DAS is believed to be accurate and reliable. However, no responsibility is assumed by ICP DAS for its use, nor for any infringements of patents or other rights of third parties resulting from its use.

## **Copyright**

---

Copyright © 2017 by ICP DAS. All rights are reserved.

## **Trademarks**

---

Names are used for identification purposes only and may be registered trademarks of their respective companies.

## **Contact Us**

---

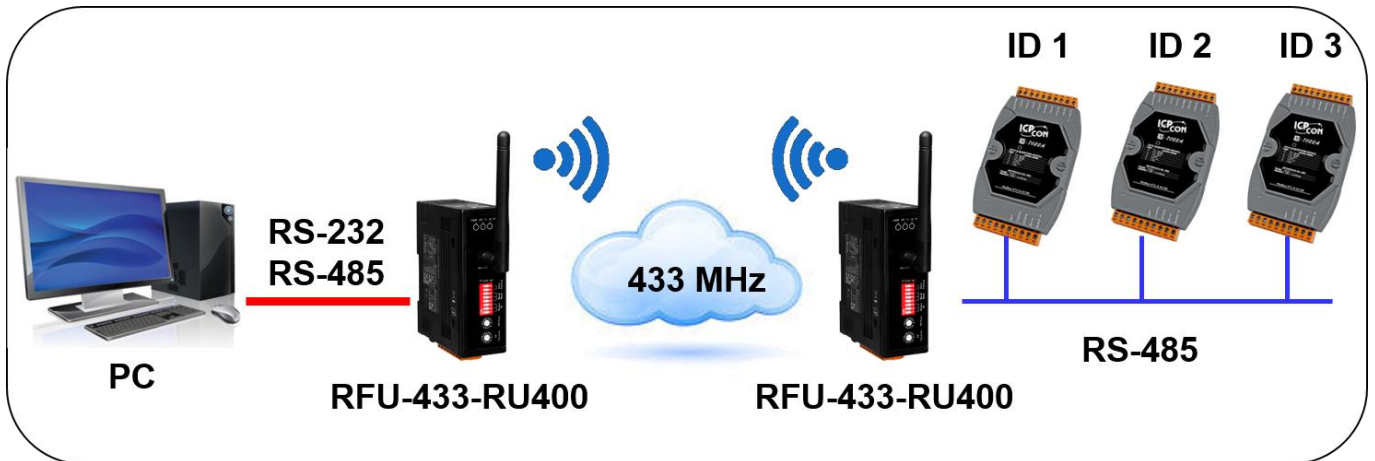
If you have any questions, please feel free to contact us via email at:  
[service@icpdas.com](mailto:service@icpdas.com)

## **Table of Contents**

<b>1. Introduction .....</b>	<b>4</b>
1.1 Features .....	5
1.2 Specification .....	6
1.3 Dimensions .....	8
1.4 Appearance.....	9
<b>2. Configuration.....</b>	<b>11</b>
<b>3. RFU-433 Utility .....</b>	<b>14</b>
<b>4. Application Example .....</b>	<b>15</b>

# 1. Introduction

The RFU-433-RU400 is an RS-232/RS-485 to 433 MHz radio modem that can be used to convert data from an RS-232/RS-485 device to RF message and transmitted in transparent mode via the 433 MHz ISM frequency band.



The RFU-433-RU400 provides a maximum line of sight (LOS) transmission distance of 399 meters at an RF Baud Rate of 9600 bps. In order to overcome the interference that may be encountered in harsh environments, the RFU-433-RU400 allows the RF transmission Baud Rate to be configured to a minimum of 650 bps, enhancing the capability of the modem to resist noise and other interference. Additionally, the RF channels and Group IDs are adjustable, which is helpful when attempting to avoid interference encountered when two RFU-433-RU400 networks are adjacent. The 16 RF channels and 8 Group IDs can be configured in order to distinguish and control the different RFU-433-RU400 networks. The majority of these configuration parameters can be adjusted using a combination of the Rotary and DIP switches, thereby providing a simple method of maintaining the system if the RFU-433-RU400 modem needs to be replaced.

## 1.1 Features

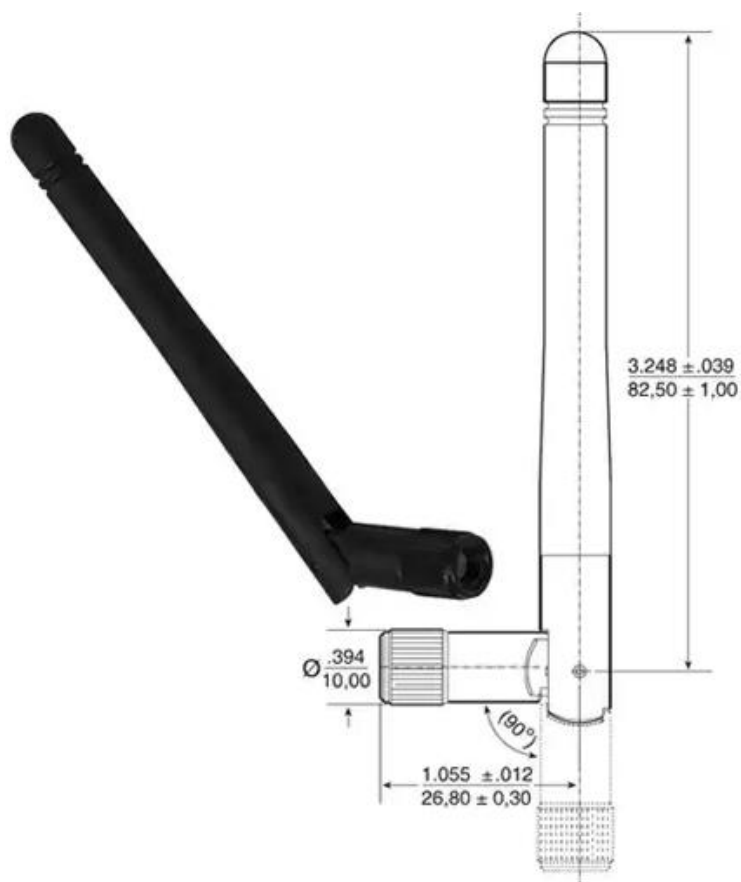
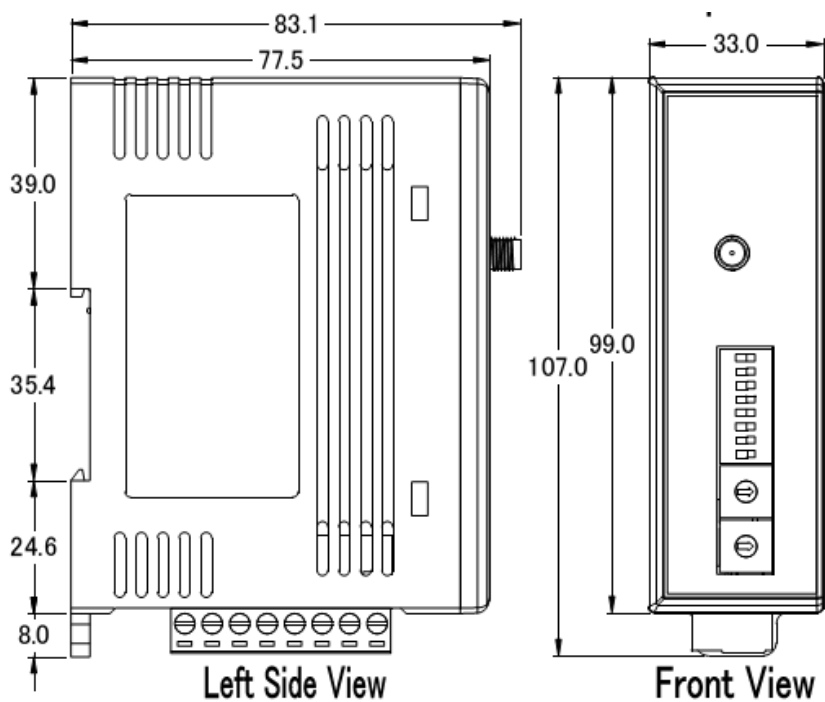
- 433 MHz Radio Frequency
- 16 RF channels with 100 kHz channel spacing
- Provides RF Baud Rates from 650 to 57600 bps
- Transparent transmission mode
- Provides Baud Rates from 1200 to 115200 bps for both the RS-232 and RS-485 interfaces
- DIN-Rail Mountable
- Operating Temperatures, -25°C ~ +75°C

## 1.2 Specification

RF Interface	
Radio Frequency	<b>433.1 MHz ~ 434.6 MHz</b>
Baud Rate	650 ~ 57600 bps
Transmission Power	Default 10 dBm, Max 19 dBm
Antenna	0 dBi Omni directional, RPSMA
Transmission Distance (LoS)	399 m (Max.)
Group ID	0 ~ 7
Protocols	Transparent transmit
Temporary Buffer Size	512 Bytes
Configuration	Rotary and DIP switch
Repeater	Support 1 hub
COM Port Interface	
RS-232	TxD, RxD and GND
RS-485	D+, D- ; 3000 VDC for DC-to-DC
Baud Rate (bps)	1200 ~ 115200 bps
Data Format	N,8,1 / O,8,1 / E,8,1
LED Indicators	
RF_Tx	Green (RF Transmit)
RF_Rx	Yellow (RF Receive)
PWR	Red (Power)
Isolation	
Intra-module Isolation	2500 Vrms for photocoupler (COM Port)
EMS Protection	
ESD	+/- 4 kV Contact
EFT	+/- 1 kV
Surge	+/- 1 kV
Power	

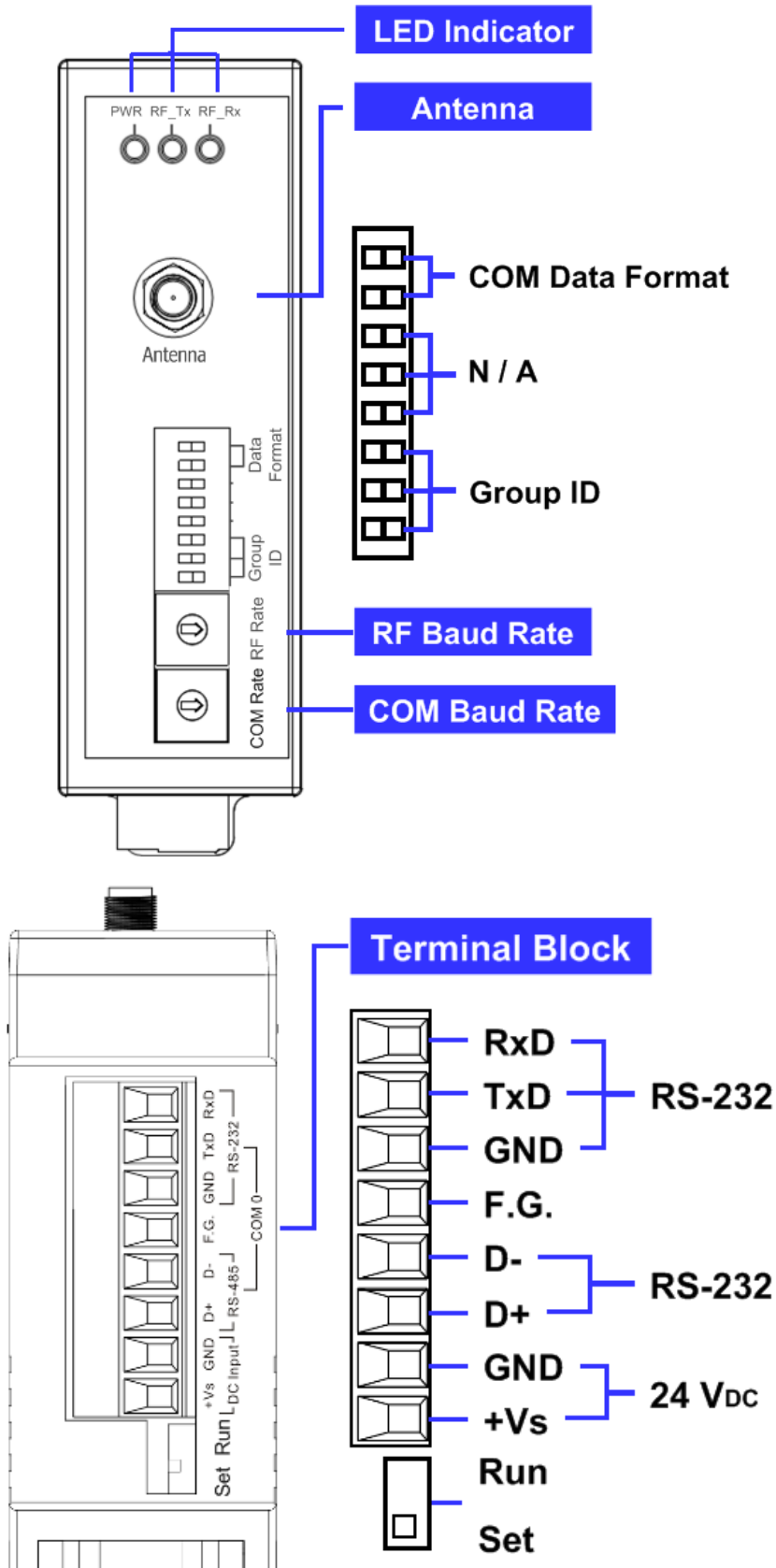
Input Voltage Range	+10 V <sub>DC</sub> ~ +30 V <sub>DC</sub>
Power Consumption	1 W @ 24 V <sub>DC</sub>
Mechanical	
Flammability	Fire Retardant Materials
Dimensions (W x L x H) ( not include antenna )	108 mm x 84 mm x 33 mm
Antenna Dimensions (L x Ø)	108 mm x 10 mm
Installation	DIN-Rail
Environment	
Operating Temperature	-25°C ~ +75°C
Storage Temperature	-30°C ~ +80°C
Relative Humidity	10 to 90% RH (Non-condensing)

## 1.3 Dimensions





# 1.4 Appearance



### Terminal Block

	Pin	Description
<p>+Vs GND D+ D- F.G. GND TxD RxD  ┌ DC Input ─┘ ┌ RS-485 ─┘ ┌ RS-232 ─┘  └──────────┘ └──────────┘ └──────────┘  └──────────┘  COM 0</p>	RxD	RS-232
	TxD	
	GND	
	F.G.	Frame Ground
	D-	RS-485
	D+	
	GND	Power:
	+Vs	+10 ~ +30 V <sub>DC</sub> , 1A

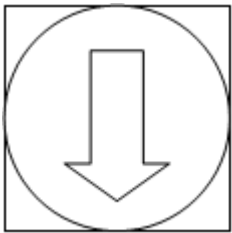
### LED Indicator

LED	Behavior	Description
PWR	On	+10 ~ +30 V <sub>DC</sub> Power On
	Off	Power Off
RF_Tx	On	RF is transmitting data
	Off	RF is no data to transmit
RF_Rx	Always On	RF is receiving data, signal strength high
	100ms Flash	RF is receiving data, signal strength middle
	500ms Flash	RF is receiving data, signal strength low
	Off	RF is no data to receive

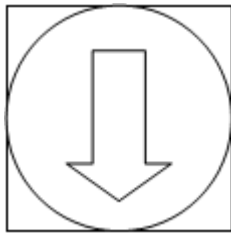
## 2. Configuration

Most the configurations of RFU-433-RU400 are used dip switch and rotary switch. About these settings are show as below:

### COM Baud Rate



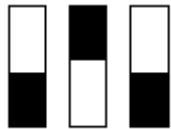
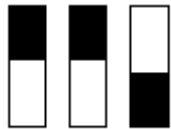

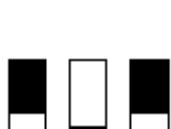
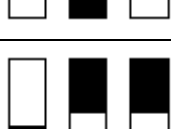

Switch Name	Number	Baud Rate (bps)
 COM Rate	0	115200
	1	57600
	2	38400
	3	19200
	4	9600
	5	4800
	6	2400
	7	1200
	8 ~ E	Reserved

### RF Baud Rate

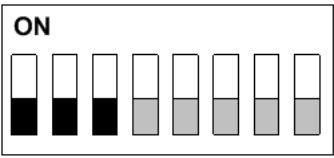
Switch Name	Number	Baud Rate (bps)
 RF Baud Rate	0*	Auto set the same with COM Baud Rate
	1	57600
	2	38400
	3	19200
	4	9600
	5	4800
	6	2400
	7	1200
	8	650
	9 ~ E	Reserved
	F	Firmware version

\* If COM Baud Rate is 115200 bps, the RF Baud Rate will set to 57600 bps.

### Group ID

Switch Name	Switch	Group ID Number
		0
		1
		2
		3
		4
		5
		6
		7

**ON**

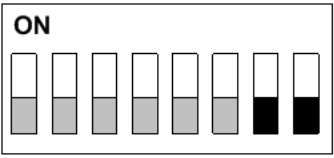
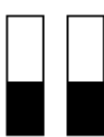
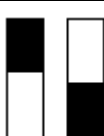




1 2 3 4 5 6 7 8

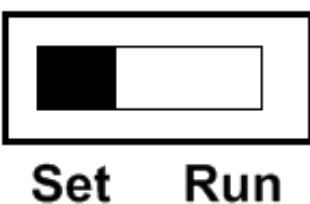
Group ID

\* RFU-433-RU400 with different Group ID cannot communicate with each other.

### COM Data Format

Switch Name	Switch	Data Format
 <p>COM Data Format</p>		N, 8, 1
		O, 8, 1
		E, 8, 1
		Repeater Mode ( <b>1 hub</b> )

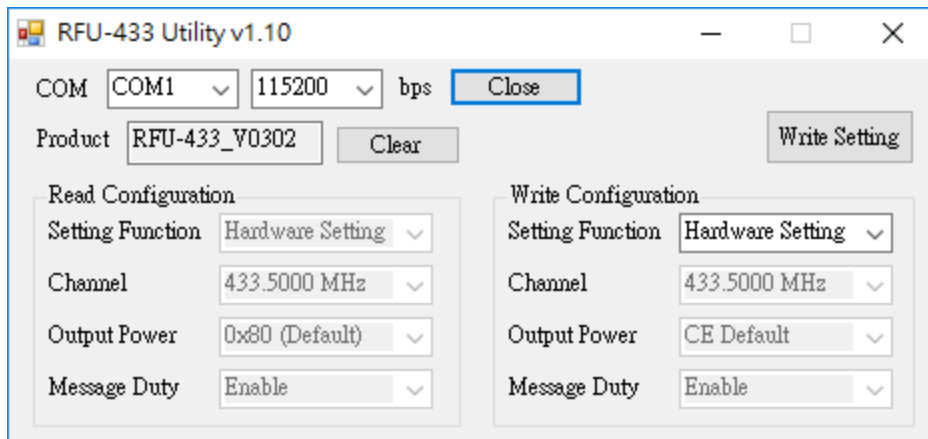
### Setting Switch

Switch Name	Switch	Description
	Set *	Utility Setting Mode
	Run	Normal Run Mode

\* In set mode, user can configure "Channel", "Output Power" and "Message Duty", through RFU-433-RU400 Utility.

### 3. RFU-433-RU400 Utility

When RFU-433-RU400 utility connects with RFU-433-RU400 in set mode through COM port. The utility will get the module firmware version and configuration. User also can change the RF communication frequency to RFU-433-RU400 through the utility.



**Open COM Button:** Open COM port and connect to module.

**Close Button:** Close COM port.

**Product:** Here will show the module name and firmware version.

**Setting Function:** It includes "Hardware Setting" and "Software Setting".

For "Hardware Setting", the "Channel" is 433.5000 MHz, the "Output Power" is 10 dBm and the "Message Duty" is enable.

**Channel:** RF channel is 433.1000 MHz ~ 434.6000 MHz.

**Output Power:** The RF output power is from 0x00 ~ 0x7F. Default is 10 dBm and 0x7F is max (19 dBm).

**Message Duty:** Message duty means the minimum time interval for RF message. The "next" time interval is 10 times the "current" RF message Tx time. For example, if current transmission RF message is 20 bytes with 9600 bps, the Tx time is about 20 ms, so the next time the module can transmit RF message is after 200 ms. That is to say the message duty is 10%.

**Write Setting Button:** Click it to set all setting on the "Write Configuration" panel to the module and read back on "Read Configuration" panel.

## 4. Application Example

### 1 - 1 Transfer



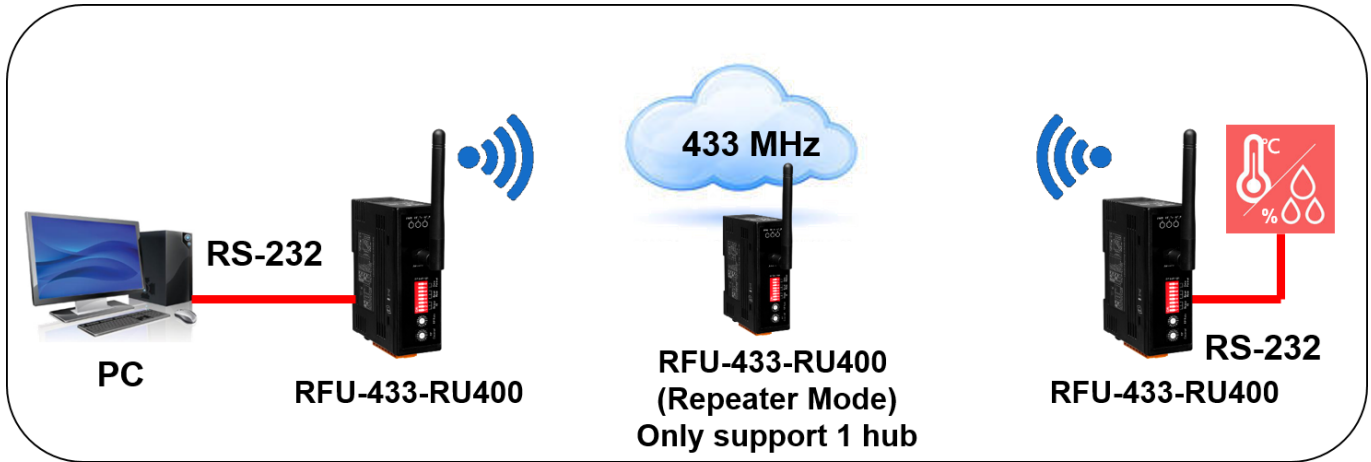
PC controls RS-485 modules 1 ~ 3 through RFU-433-RU400.

### 1 - Multi Transfer



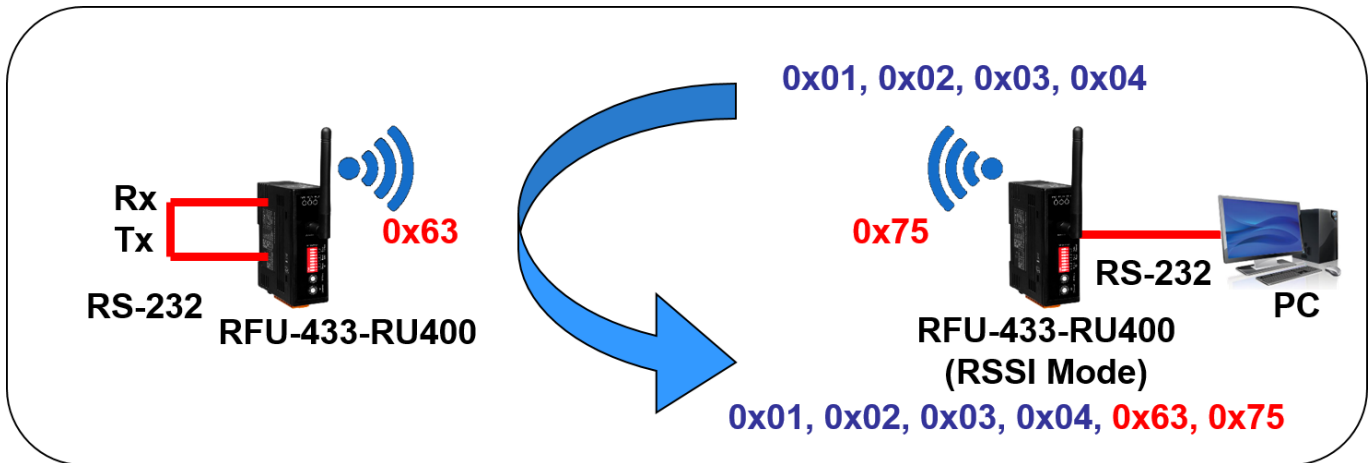
PC controls RS-485 modules 1 ~ 3 through a RFU-433-RU400 and modules 4 ~ 6 through another RFU-433-RU400

### Repeater Mode



PC cannot monitor the thermometer and hygrometer directly because the distance is too far. But the repeater can bypass the RF message one side to another and let PC can monitor the thermometer and hygrometer.

### RSSI Test



User can enable RSSI mode to check the RSSI value.