



Quick Start for XP-8000-CE6

February 2010, Version 1.0.4

Foreword

The purpose of this Quick Start is to help you quickly start to use the XP-8000-CE6 and have a rough understanding with processes of application installation and setting I/O modules.

Table of Contents

1. What's on Your Package?	2
2. Preparing for Start-up Your XP-8000-CE6.....	2
3. Connecting to Power and Peripherals.....	3
4. Inserting I/O Modules	3
5. Localize your XP-8000-CE6 with language options.....	4
6. Using DCON Utility to Configure I-87K Series I/O Modules	4
7. Restore Your XP-8000-CE to Factory Default.....	6
8. Technical Support	8

What's on your package?

Item	Quantity	Model No.	Description
XP-8000-CE6	1	XP-8041-CE6	XP-8041-CE6: 0 slot
		XP-8341-CE6	XP-8341-CE6: 3 slots
		XP-8741-CE6	XP-8741-CE6: 7 slots
Manual	1	-	Quick Start Guide (this manual)
CF Card	1	-	Rescue CF Card
CD	1	-	Software and documents included.
Screw Driver	1	1C016	2.4 mm Screw driver

Preparing for start-up your XP-8000-CE6

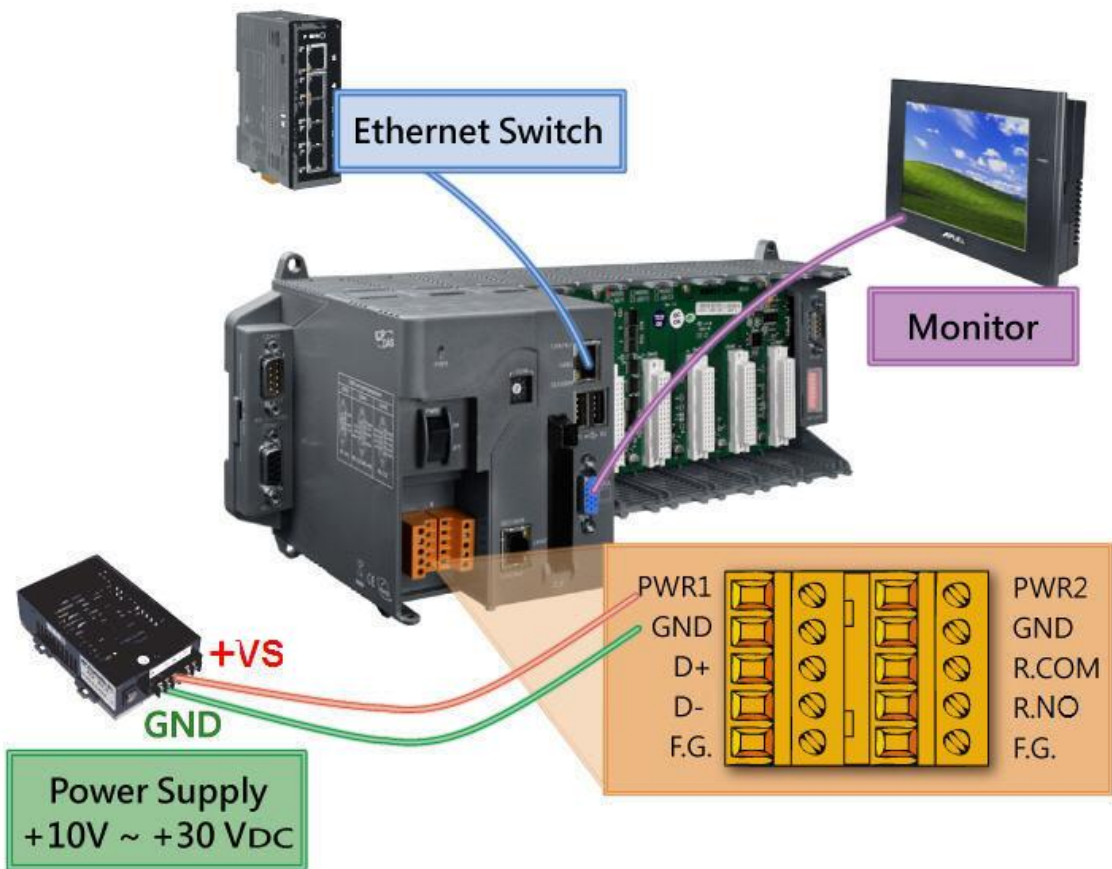
1. Power Supply: +10 ~ +30 VDC (Ex: DP-665)

http://www.icpdas.com/products/Accessories/power_supply/power_list.htm

2. Monitor: 640 x 480 ~ 1024 x 768 (or above)

3. USB mouse and USB keyboard

Connecting to power and peripherals



Inserting the I/O module(s)



High profile I-8K and I-87K modules only

Localize your XP-8000-CE6 with Language Options

Follow the steps to configure the language options:

1. **Start** → **Settings** → **Control Panel**.
2. Click on “**Regional Settings**”.
3. Click on “**User Interface Language**”.
4. Choose the language used for the menus, dialogs, and alerts.
5. Reboot the device to take effect the setting.

Using DCON Utility to configure I-87K modules

Warning: For supporting XP-8000-CE, DCON Utility should be version 5.14 or later.

Install DCON Utility in your PC first.

You can have one copy of DCON Utility:

ftp://ftp.icpdas.com/pub/cd/8000cd/napdos/driver/dcon_utility/

Configure I-87K modules as the following steps.

1. Double-click on the shortcut on the desktop of PC.



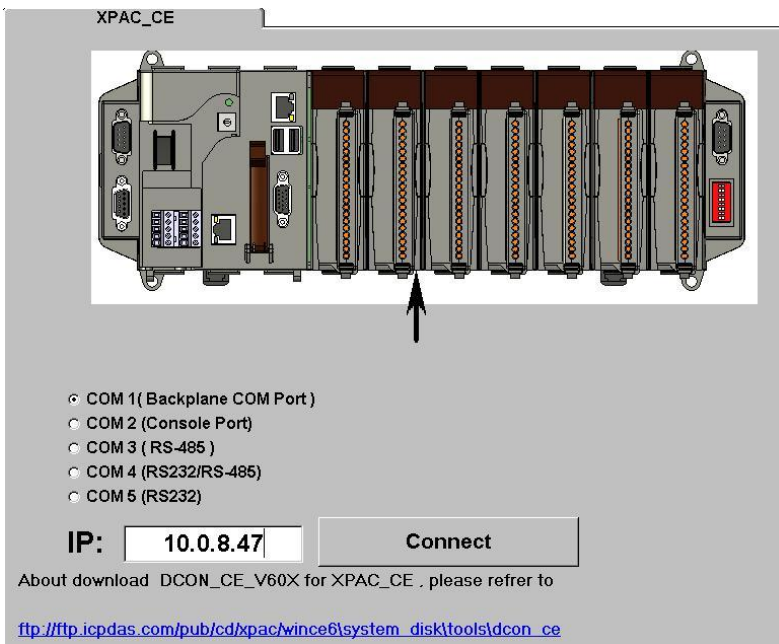
2. Double-click on the shortcut on the desktop of XP-8000-CE6.



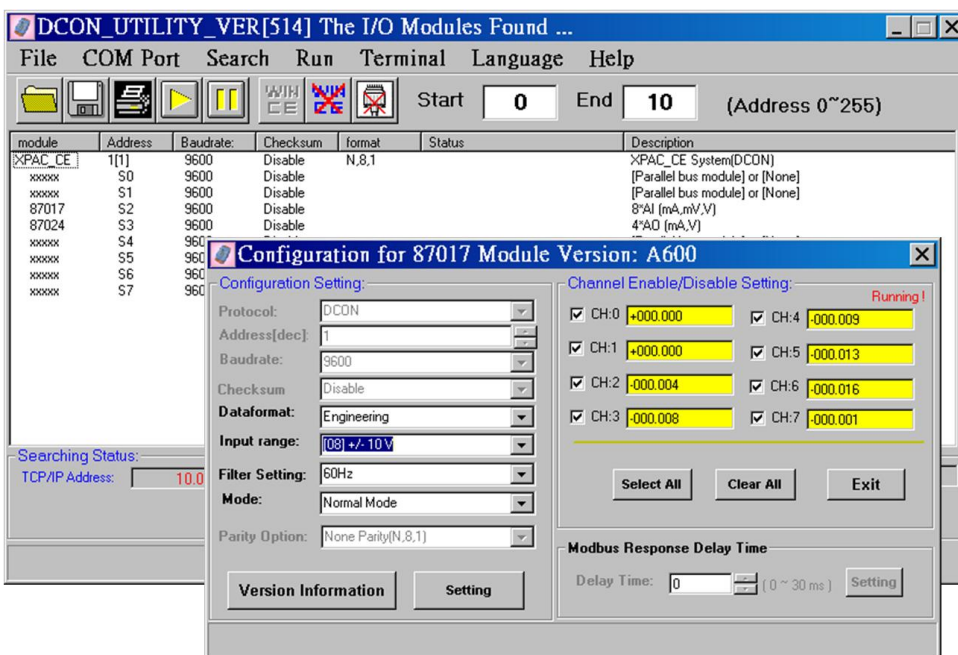
3. Click on the **WIN CE** command button



4. In the **XPAC_CE** tab: type the IP and choose COM port to scan, and then **Connect**.



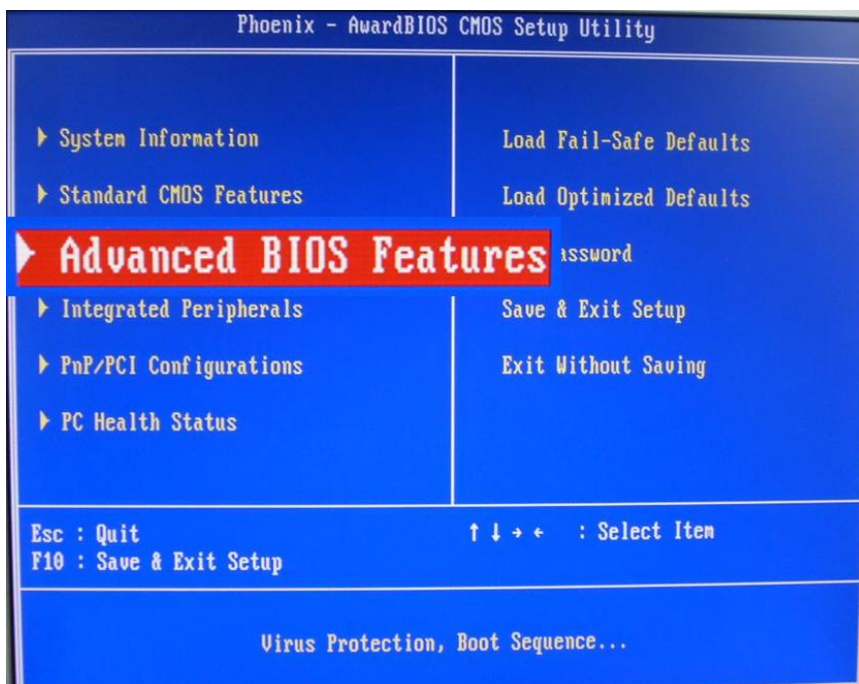
5. Click the name of the module you want to configure it.



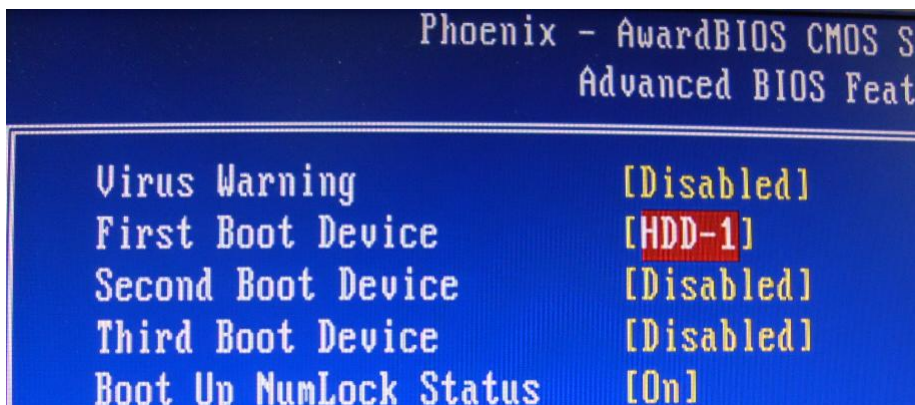
Restore your XP-8000-CE6 to factory default

Warning: XP-8000-CE6 have to run under **normal mode**, which means rotary switch = 0, to restore XP-8000-CE6 to factory default

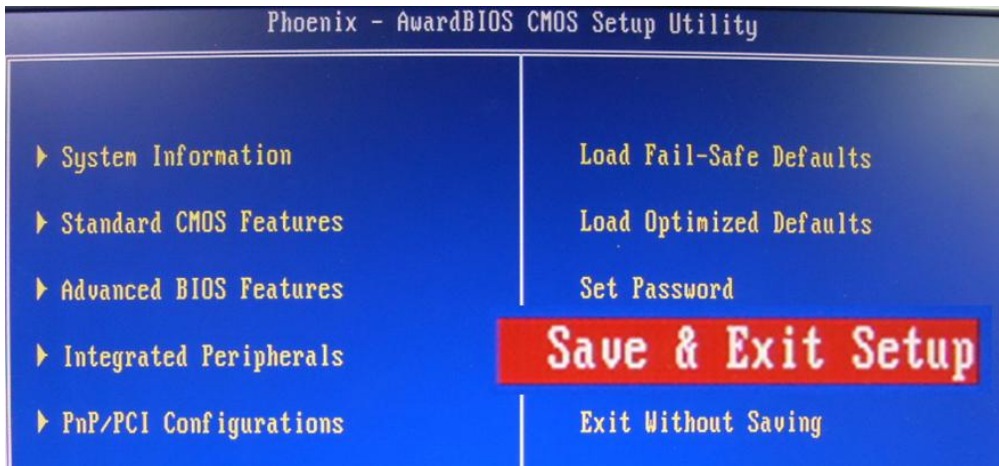
1. Reboot your XP-8000-CE6. While rebooting, press “**delete**” key to enter BIOS setup utility.
2. Choose “**Advanced BIOS Features**” and then press “**Enter**” key.



3. Set “**First Boot Device**” as “**HDD-1**”.



4. Return to main menu and select “**Save and Exit Setup**”.



5. Choose **(a)/(1)** create XPAC_CE default partition.

```
=====
==                               ==
                               Main Menu                               ==
=====

**  the following 3 steps help you  **
**  restore default XPAC_CE OS.    **

(a) Step 1: create XPAC_CE default partition.
(b) Step 2: format and restore XPAC_CE to factory default OS.
(c) Step 3: reboot

(i) Display directory information on built-in flash

Please enter your choice:
```

6. Wait about several seconds for step 1 and reboot, then choose **(b)/(2)**, format and restore XPAC_CE to factory default OS and choose **(c)/(3)** to reboot. (Refer to above figure.)

7. Repeat step 1 ~ 4 to set “**First Boot Device**” as “**HDD-0**” (and reboot XP-8000-CE6).

The XP-8000-CE6 will set itself default when the first reboot after recovery procedure. It needs about 1 min.

8. After above steps, the XP-8000-CE6 recovery is completed.

Technical support

- **XP-8000-CE6 User Manual**

CD root:\ICPDAS\XP-8000-CE6\Document\User_Manual

CF root:\Document\User_Manual

ftp://ftp.icpdas.com/pub/cd/xp-8000-ce6/document/user_manual

- **XPAC SDK**

CD root:\ICPDAS\XP-8000-CE6\SDK

CF root:\SDK

<ftp://ftp.icpdas.com/pub/cd/xp-8000-ce6/sdk/>

- **XPAC SDK API Documents:**

CD root:\ICPDAS\XP-8000-CE6\Document\SDK

CF root:\Document\SDK

<ftp://ftp.icpdas.com/pub/cd/xp-8000-ce6/document/sdk>

- **XP-8000-CE6 Website**

http://www.icpdas.com/products/PAC/xpac_ce/introduction.htm

- **ICP DAS Service Email Account**

service@icpdas.com



XP-8000-CE6 系列快速安裝指南

2010 年 2 月， 1.0.4 版

前言

本手冊目的在於提供 XP-8000-CE6 的使用須知與安裝軟體，設定 I/O 模組的步驟簡易說明，希望能幫助您排除對剛接觸 XP-8000-CE6 產生的疑惑，在最短的時間內開始使用 XP-8000-CE6。

目錄

1. 產品清單	10
2. 前置準備.....	10
3. 連接電腦與周邊.....	11
4. 安裝 I/O 模組	11
5. 變更系統語言環境.....	12
6. 使用 DCON Utility 設定 I-87K 模組.....	12
7. 系統回復.....	14
8. 技術支援.....	16

產品清單

項目	數量	型號	說明
XP-8000-CE6	1	XP-8041-CE6	硬體模組
		XP-8341-CE6	XP-8041-CE6: 0 槽 XP-8341-CE6: 3 槽
		XP-8741-CE6	XP-8741-CE6: 7 槽
手冊	1	-	快速安裝指南 (本文件)
CF Card	1	-	系統回復
CD	1	-	內含軟體, 手冊
螺絲起子	1	1C016	2.4 mm 一字螺絲起子

前置準備

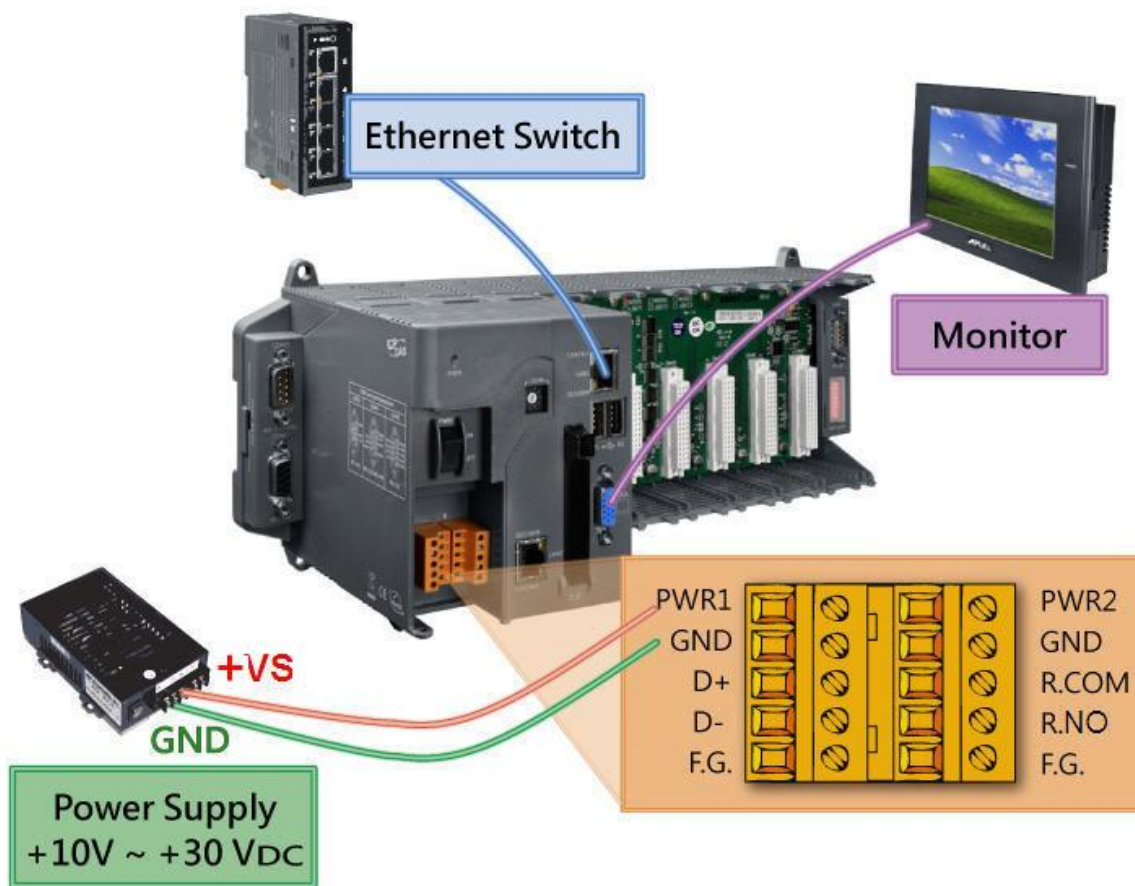
4. 電源供應器: +10 ~ +30 VDC (例如: DP-665)

http://www.icpdas.com/products/Accessories/power_supply/power_list.htm

5. 螢幕: 640 x 480 ~ 1024 x 768 (or above)

6. USB 滑鼠與鍵盤

連接電源與周邊



安裝 I/O 模組



(僅支援 I-8K 與 I-87K 高卡系列 I/O 模組)

變更系統語言環境

依下列步驟變更系統語言環境：

1. 開始 → 設定 → 控制台。
2. 點選“區域設定”。
3. 點選“使用者介面語言”。
4. 選用於功能表和對話方塊的語言。
5. 重開機以使設定生效。

使用 DCON Utility 設定 I-87K 模組

警告：DCON Utility 5.14 以後的版本才支援 XP-8000-CE

在您的電腦上先安裝 DCON Utility.

取得 DCON Utility:

ftp://ftp.icpdas.com/pub/cd/8000cd/napdos/driver/dcon_utility/

以下簡述在 XP-8000-CE6 上設定 I-87K 的步驟.

1. 雙擊電腦桌面上的“DCON_Utility”圖示(捷徑).



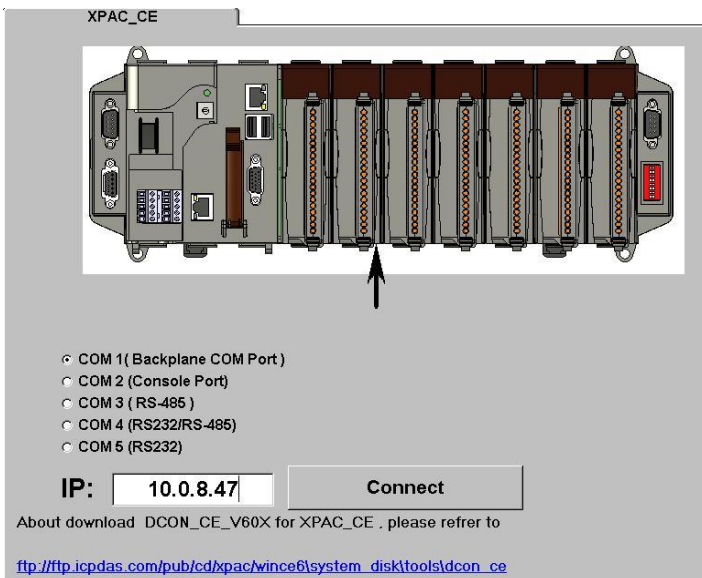
2. 雙擊 XP-8000-CE6 桌面上的“DCON_CE_V600”圖示(捷徑).



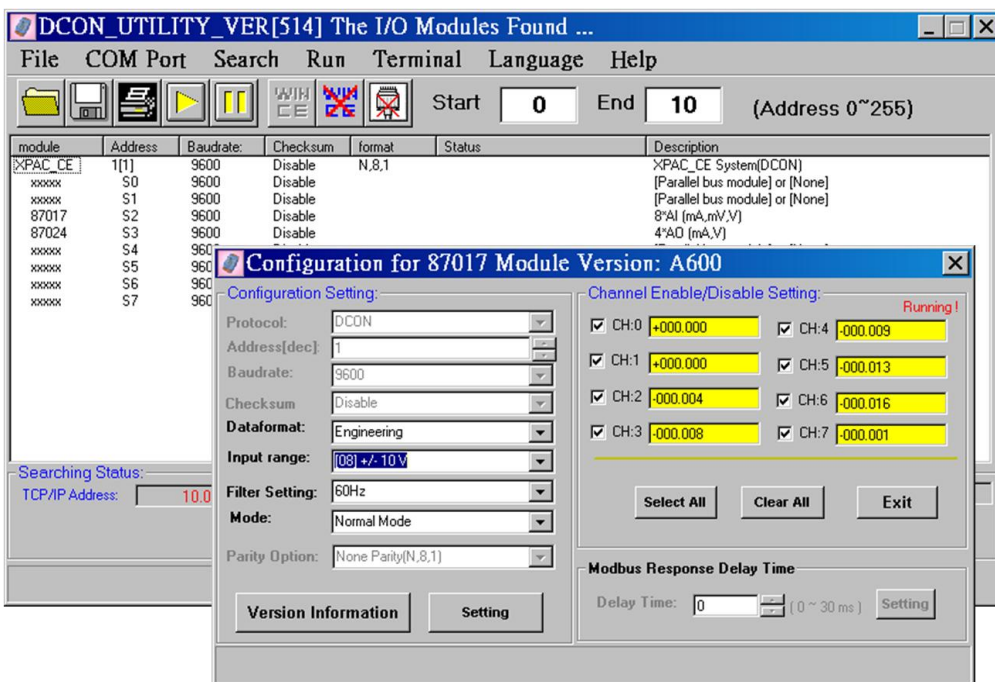
3. 點擊 WIN CE 按鈕.



4. 在 XPAC_CE 標籤頁: 輸入 IP 和選擇欲搜尋的 COM port, 然後按 Connect 鈕.



5. 點擊已被搜尋到的模組名稱, 進入設定畫面.

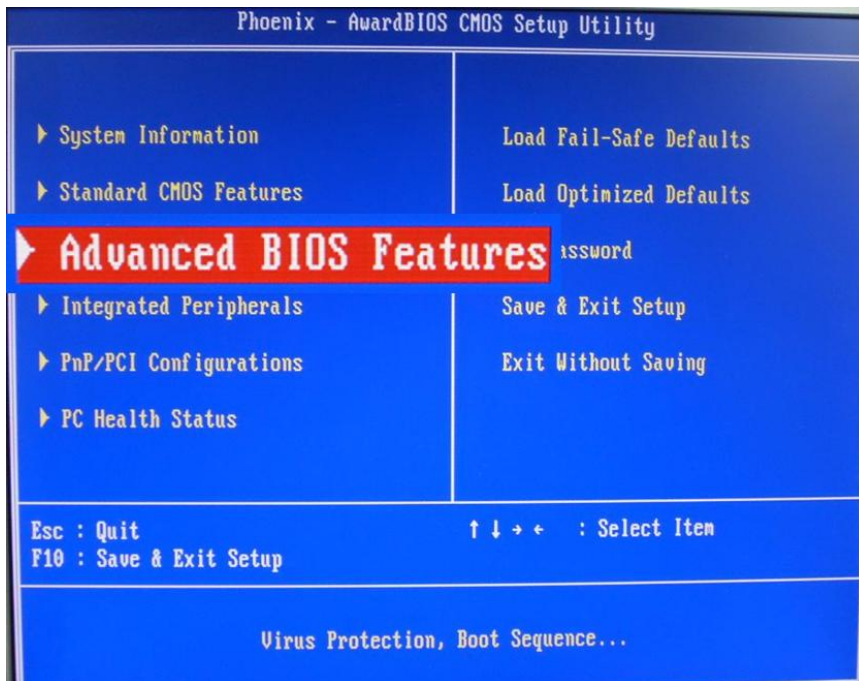


系統回復

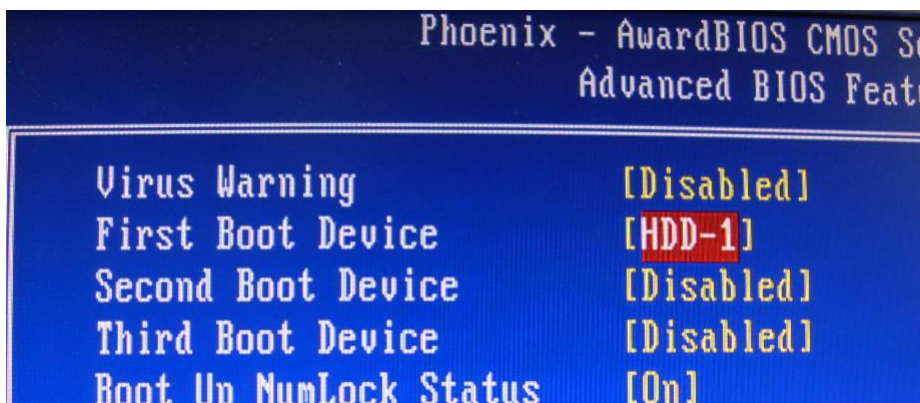
XP-8000-CE6 在出貨 CF 中預載系統回復程式，經過簡單的步驟，即可將 XP-8000-CE6 回復到出廠預設狀態。

注意：執行系統回復時，請確定狀態為 normal mode (即 rotary switch 為 0)

1. 重新啓動 XP-8000-CE6. 在啓動時按下鍵盤上的 “**delete**” 按鍵進入 BIOS 設定工具程式.
2. 選擇 “**Advanced BIOS Features**” 並按下 “**Enter**” 按鍵.



3. 將 “**First Boot Device**” 設定為 “**HDD-1**”.



4. 選擇 “Save and Exit Setup”，按下 “Enter” 按鍵。
XP-8000 將重新啓動，並從 CF 開機。



5. 開機後進入 XP-8000-CE6 回復工具程式，選擇 (a)/(1), create XPAC_CE default partition.

```
=====
==                               ==
=====
                               Main Menu
=====

**  the following 3 steps help you  **
**  restore default XPAC_CE OS.    **

(a) Step 1: create XPAC_CE default partition.
(b) Step 2: format and restore XPAC_CE to factory default OS.
(c) Step 3: reboot

(i) Display directory information on built-in flash

Please enter your choice:
```

此約需幾秒鐘，重開機後，選擇**(b)/(2)**, format and restore XPAC_CE to factory default OS，完成後選**(c)/(3)**重開機 (請參考上圖)

6. 重複步驟 1 ~ 4，將 “First Boot Device” 設定為 “HDD-0”後重開機。
7. 系統回復後第一次重開機，系統自動進行參數設定，約需等待 1 分鐘。參

數設定完成時，即回復為出廠狀態。

技術支援

- **XP-8000-CE6 使用手冊**

CD root:\ICPDAS\XP-8000-CE6\Document\User_Manual

CF root:\Document\User_Manual

ftp://ftp.icpdas.com/pub/cd/xp-8000-ce6/document/user_manual

- **XPAC SDK : XP-8000-CE6 開發套件**

CD root:\ICPDAS\XP-8000-CE6\SDK

CF root:\SDK

<ftp://ftp.icpdas.com/pub/cd/xp-8000-ce6/sdk/>

- **XPAC SDK API 參考手冊:**

CD root:\ICPDAS\XP-8000-CE6\Document\SDK

CF root:\Document\SDK

<ftp://ftp.icpdas.com/pub/cd/xp-8000-ce6/document/sdk>

- **XP-8000-CE6 網站**

http://www.icpdas.com/products/PAC/xpac_ce/introduction.htm

- **服務信箱**

service@icpdas.com