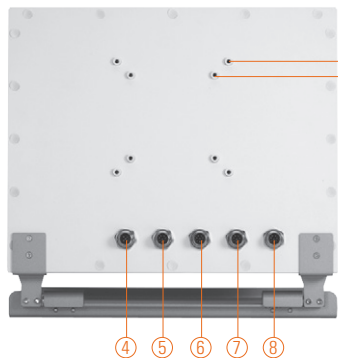


# GOT812

12.1" XGA/SVGA TFT IP66-rated Fanless Touch Panel Computer (-20°C ~ +55°C)

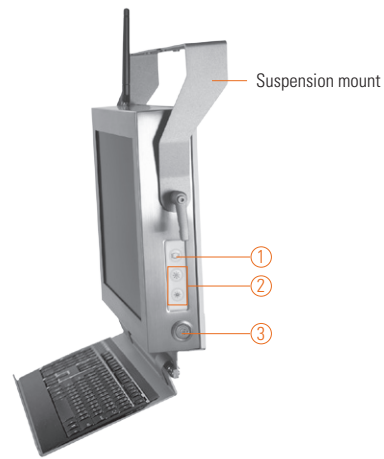
## Features

- 12.1" XGA/SVGA high brightness color TFT LCD
- Fanless system with Intel® Atom™ processor N270 1.6 GHz
- Water/dust-proof design (full enclosure: IP66)
- Wide operating temperature range of -20°C ~ +55°C
- Sunlight readable design: low-reflective T/S
- Supports suspension and VESA mount
- Orientated ISO76379V-36VDC vehicle power supply (GOT812LV only)
- All I/O are M12 connectors



VESA 100  
VESA 75

1. Backlight switch
2. Brightness adjust
3. Power switch (ATX)
4. DC power connector
5. COM 1 (RS-232)
6. COM 2 (RS-232)
7. Ethernet
8. USB 2.0 x 2



▲ Side view



## Introduction

The GOT812 is specially designed for heavy-duty & outdoor applications. Its IP66-rating stainless steel housing protects entire system from outside damage of water, powder and dust. It also outfits sunlight readable technology and wide operating temperature range of -20°C ~ +55°C. Thus, this robust unit is best suited for outdoor environments in extreme sunny or rainy day, dusty or wet spaces in food factories or kitchens and more harsh applications, such as steel factories, transformer stations and vessels.

### IP66-sealed system

The GOT812 adopts a water/dust-proof housing design and five IP66-rated connectors. It passes entire system IP66 test by SGS and verified salt mist test and marine grade by IEC60945.

### Sunlight readable design

Its sunlight readable technology with LED tech high brightness 1000 nits color display and low reflective touchscreen allows the screen legible even under strong sunlight.

### Wide temp. (-20°C ~ +55°C) & anti-vibration (2G) design

The GOT812 supports wide temperature of -20°C ~ +55°C. Besides, the patent of anti-vibration for SSD ensures system reliability and stability.

## Specifications

|             |                                 |   |
|-------------|---------------------------------|---|
| Front Bezel | Stainless type 316              |   |
| LCD Panel   | Display Type                    | 12.1" XGA TFT LCD (GOT812LR)<br>12.1" SVGA TFT LCD (GOT812L/GOT812LV)   |
|             | Brightness (cd/m <sup>2</sup> ) | 1000 nits (GOT812LR)<br>450 nits (GOT812L/GOT812LV)   |
|             | Resolution                      | 1024 x 768 (GOT812LR)<br>800 x 600 (GOT812L/GOT812LV)   |
|             | Viewing Angle (H/V)             | 160°/140° (GOT812LR)<br>100°/120° (GOT812L/GOT812LV)  |
| Main System | CPU                             | Intel® Atom™ processor N270<br>1.6 GHz  |
|             | Chipset                         | Intel® 945GSE + ICH7M   |
|             | System Memory                   | 1 x 200-pin DDR2 SO-DIMM max.<br>up to 2 GB   |
|             | BIOS                            | AMI with Axiomtek standard features;<br>such as, SmartView, Ethernet Boot ROM (RPL & PXE), customer CMOS backup |
|             | Storage                         | 1 x 2.5" SSD<br>1 x CompactFlash™   |
|             | Watchdog Timer                  | 255 levels, 1-255 sec.  |
|             | Onboard Graphics                | Integrated in Intel® 945GSE   |

## Specifications

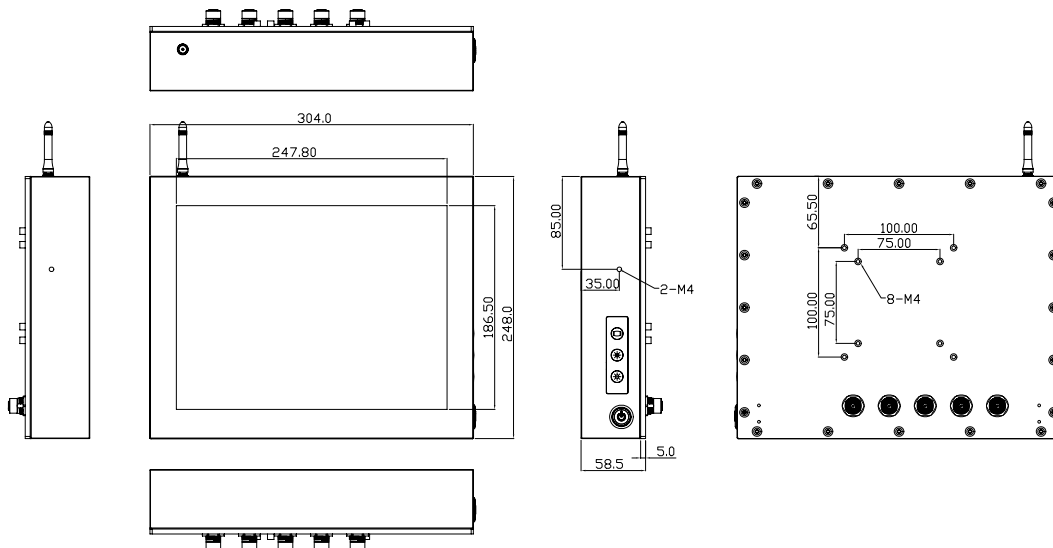
|                     |   |
|---------------------|---|
| I/O Connector       | 1x RS-232/422/485 (COM 1 default RS-232)<br>1x RS-232 (COM 2)<br>2 x USB 2.0<br>1 x 10/100/1000Mbps Ethernet  |
| Expansion Interface | 1 x PCIe Mini Card slot   |
| Touchscreen         | 5-wire resistive low reflective type (GOT812LR)<br>5-wire resistive type (GOT812L/GOT812LV)   |
| Power Supply        | Power input 12VDC/24VDC; 9V-36V (GOT812LV)  |
| Dimensions          | 304 mm (11.97") (W) x 58.5 mm (2.3") (D)<br>x 248 mm (9.76") (H)  |
| Packing Dimensions  | 380 mm (14.96") (W) x 190 mm (7.48") (D)<br>x 430 mm (16.93") (H)   |
| Weight (net/gross)  | 4.5 kg (9.92 lb)/6 kg (13.23 lb)  |
| Environment         | Operating temperature: -20°C ~ +55°C<br>Storage Temperature: -30°C ~ +80°C (-22°F ~ +176°F)<br>Relative humidity: 10% ~ 95% @ 40°C, non-condensing<br>Operation vibration:<br>2G, 5 ~ 500Hz, random for 2.5" SSD<br>2G, 5 ~ 500Hz, random for CompactFlash™ |
| Certification       | CE/IEC60945/DNV 2.4 (compliant) (GOT812LR/GOT812L);<br>CE/e13 (GOT-812LV)   |

\* W.T.: Wide Temperature. All W.T. supported products have to be sorted by Axiomtek.

## Optional Accessories

|              |  |
|--------------|--|
| 822B8120070E | GOT812 keyboard bracket (w/o keyboard)   |
| 822B8120080E | GOT812 suspension kit                    |
| 594B8122100E | Water-proof COM port cable (1.8m)        |
| 594B8122820E | Water-proof USB cable (1.8m)             |
| 594B8122720E | Water-proof LAN cable (1.8m)             |
| 50964A23000E | 72W/24V power adapter with M12 connector |

## Dimensions



\* All specifications and photos are subject to change without notice.  
© 2014 Axiomtek Co., Ltd. All rights reserved.

## Ordering Information

| Vehicle type                    |  |
|---------------------------------|--|
| GOT812LV-DC (P/N-E22B812111)    | 12.1" IP66-rated heavy-duty vehicle touch panel computer with Intel® Atom™ N270                |
| GOT812LV-RF-DC (P/N-E22B812112) | 12.1" IP66-rated heavy-duty vehicle touch panel computer with Intel® Atom™ N270 and Wifi or 3G |

| Sunlight readable type          |  |
|---------------------------------|--|
| GOT812LR-DC (P/N: E22B812102)   | 12.1" IP66-rated heavy-duty sunlight readable touch panel computer (1000 nits) with Intel® Atom™ N270    |
| GOT812LR-RF-DC (P/N-E22B812112) | 12.1" IP66-rated heavy-duty sunlight readable touch panel computer with Intel® Atom™ N270 and WiFi or 3G |

| Normal type                    |  |
|--------------------------------|--|
| GOT812L-DC (P/N: E22B812100)   | 12.1" IP66-rated heavy-duty touch panel computer with Intel® Atom™ N270                |
| GOT812L-RF-DC (P/N-E22B812101) | 12.1" IP66-rated heavy-duty touch panel computer with Intel® Atom™ N270 and WiFi or 3G |

\* Specification and certifications are based on options and may vary.

## Optional EOS Installation

|                            |
|----------------------------|
| Window® XP Embedded        |
| Window® CE.NET             |
| Linux (GOT-812, GOT-812LR) |

## Optional OS Installation

|             |
|-------------|
| Windows® XP |
| Windows® 7  |

Overview

Industrial Panel Computers & Monitors

Heavy-duty Fanless Touch Panel Computers

Digital Signage Solutions

Healthcare & Medical Solutions

Open Frame Panel Computers

Accessories