



## Main Features

- 7" WVGA TFT LCD monitor
- Automatic/manual brightness control
- Remote system power control
- On screen control buttons
- Support USB 2.0 and card reader
- Camera sensor on front panel (Optional)
- Optional daylight readable touch support
- Front panel compliant with IP54

## Product Overview

VMD 1000 is a 7-inch TFT LCD monitor with 4 wire resistant touch screen sensor. With the high brightness display and automatically brightness control, it is designed for in-vehicle application. It also provides USB and card reader features, and reserves camera sensor as an option. Those friendly interfaces benefit the technicians during maintenances. Its front panel is compliant to IP54 to meet with industrial application. VMD 1000 can perfectly match with any VTC series devices via the 26-pin LVDS cable.

## Specifications

### General

- Enclosure: Plastic PC + ABS
- Mounting: Support VESA 75, panel and wall mounting
- Power Input: 12VDC
- Power Consumption: 12W
- Ingress Protection: Front panel IP54
- Dimension: 182mm (W) x 138mm (H) x 36.3mm (D)  
(7.17" x 5.43" x 1.43")
- Weight (Net): 0.45Kg, 0.99Lb

### LCD Panel

- 7-inch TFT LCD panel with LED backlight
- 800 x 480 pixels (WVGA)
- Brightness: 500 cd/m<sup>2</sup> (typical)
- Contrast ratio: 600:1 (typical)

### Touch Screen Sensor

- 4-wire resistant touch
- Anti-glare coating surface
- Transmission rate: 82 ± 3%

### I/O Interface-Front

- 5 x Control buttons
  - Power on/off
  - Volume control (+/-)
  - Brightness control (+/-)
- Light sensor
- 2 x LED indicators
- 2 x Built-in speakers (1W)

### I/O Interface-Lateral

- 1 x SD/MMC/MS Card Reader
- 1 x USB type A for Storage
- 1 x Line-out (switch to external speaker by auto detection)
- 1 x Mic-in (from external microphone)

### I/O Interface-Bottom

- Remote System Power On/Off Button
- 1 x Mic-out
- 1 x Line-in
- 1 x LVDS Connector (integrating LVDS, USB x 1 and 12VDC x 1)

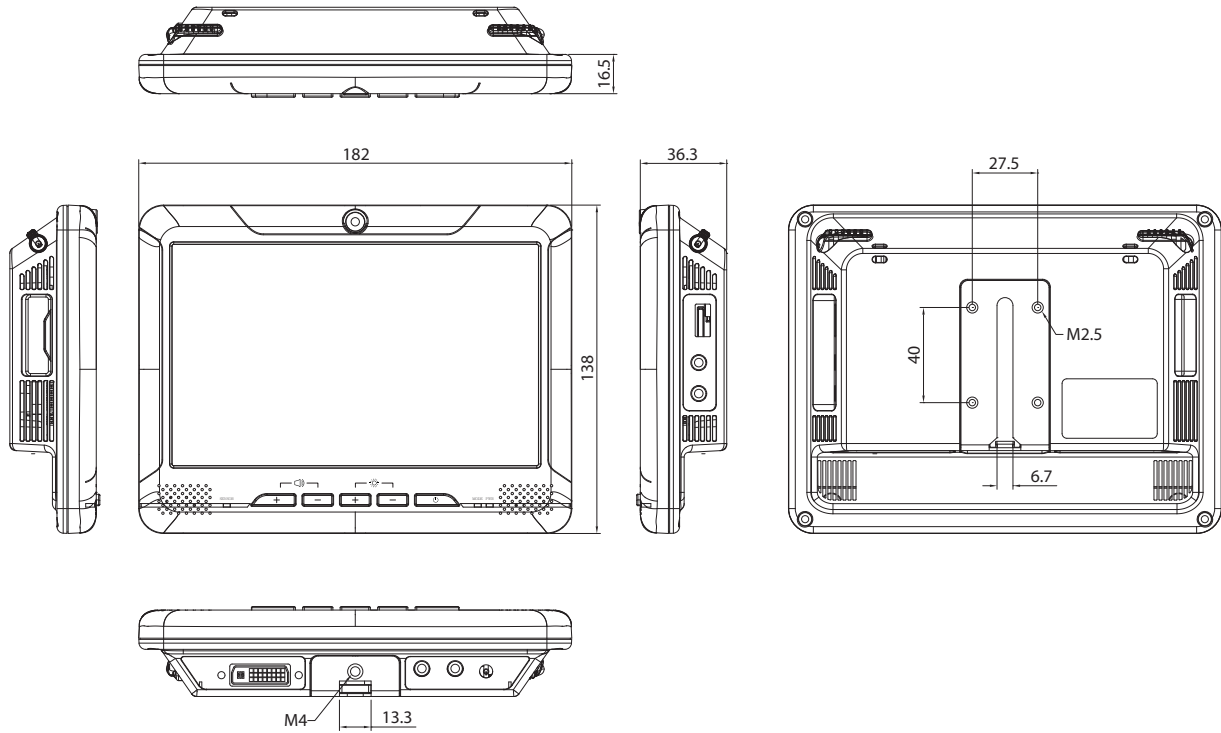
### Environment

- Operating temperature: -20°C to 70°C
- Storage temperature: -30°C to 80°C
- Vibration (random): 2.5g@5 ~ 500 Hz
- Vibration
  - Operating: MIL-STD-810G, 514.6 Procedure 1, Category 4, Ground Vehicle – Highway Truck
  - Storage: MIL-STD-810G, 514.6 Procedure 1, Category 4, Integrity Test
- Shock
  - Operating: MIL-STD-810G, Method 516.6, Procedure I, Trucks and semi-trailers=20g
  - Crash hazard: MIL-STD-810G, Method 516.6, Procedure V, Ground equipment=75g

### Optional Features

- 2.0M pixels CCD camera on front panel
- Sunlight-readable touch screen (4 wires resistive w/anti-glare coating)
- Support VESA 75, wall and stand mount kit

## Dimension Drawing



### Standards/Certifications

- CE approval
- FCC Class B

### Ordering Information

- **VMD 1000-B (P/N: 10VD010000X0)**  
7" WVGA vehicle mount display with touch screen and LVDS interface
- **VMD 1000-BS (P/N: 10VD0100003X0)**  
7" WVGA vehicle mount display with touch screen, LVDS and daylight readable
- **Bundle Accessories**  
LVDS cable (1.5M)  
Metal stand kit  
Cable fastener  
Driver CD