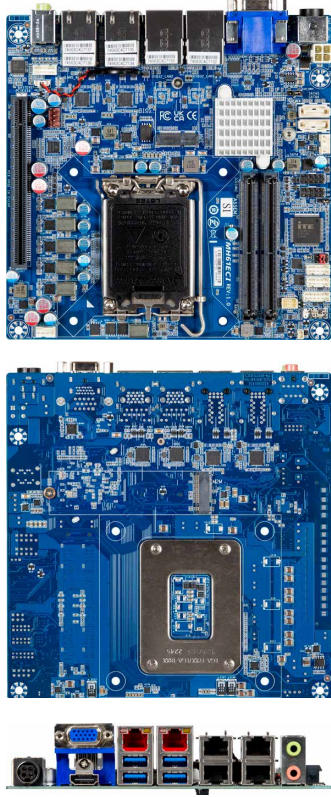


## mITX-H61EC (MH61ECI)

Mini-ITX with Intel® H610E Chipset, support 13th/12th Generation Intel® Core™ Processors, Dual channel DDR4 memory, PCIe, 2 x COM, 8 x USB, 2 x SATA 6Gb/s



### Features

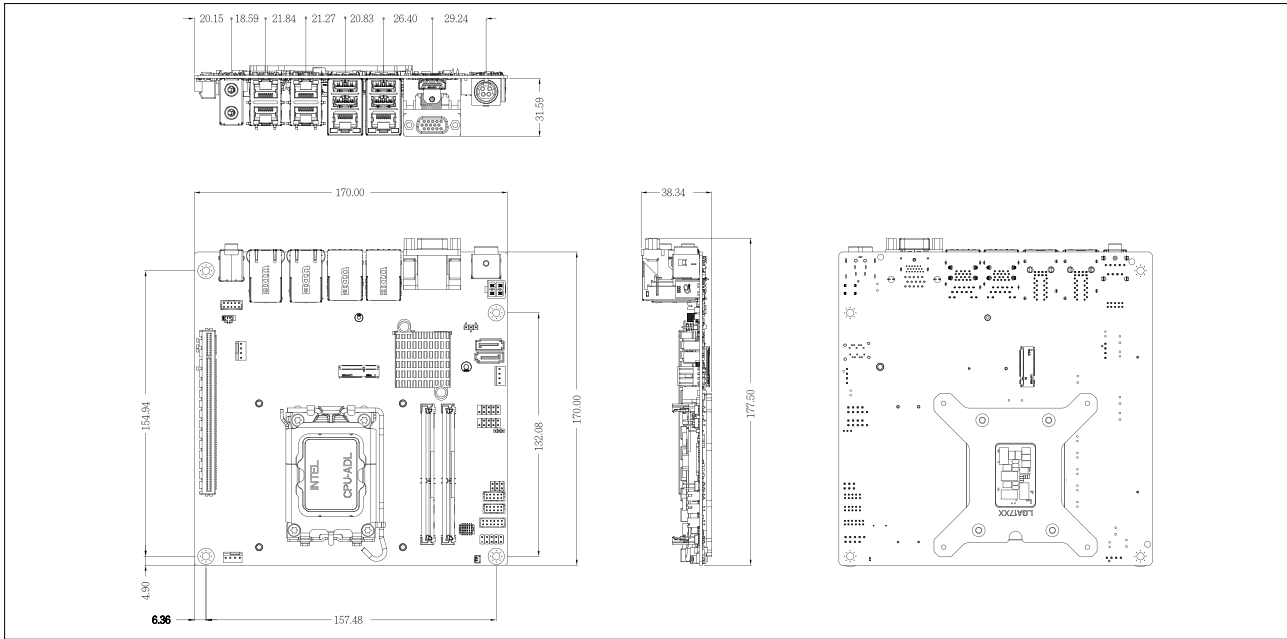
- Mini-ITX form factor
- Support 13th/12th Generation Intel® Core™ Processors
- Intel® H610E Chipset
- Dual Channel DDR4, 2 x SO-DIMMs
- 6 x 2.5GbE LAN Ports
- 2 x SATA 6Gb/s Ports
- HDMI, VGA ports for multiple display
- 1 x COM Port (RS-232/422/485 & RI/5V/12V)
- 1 x COM Port (RS-232)

### Specifications

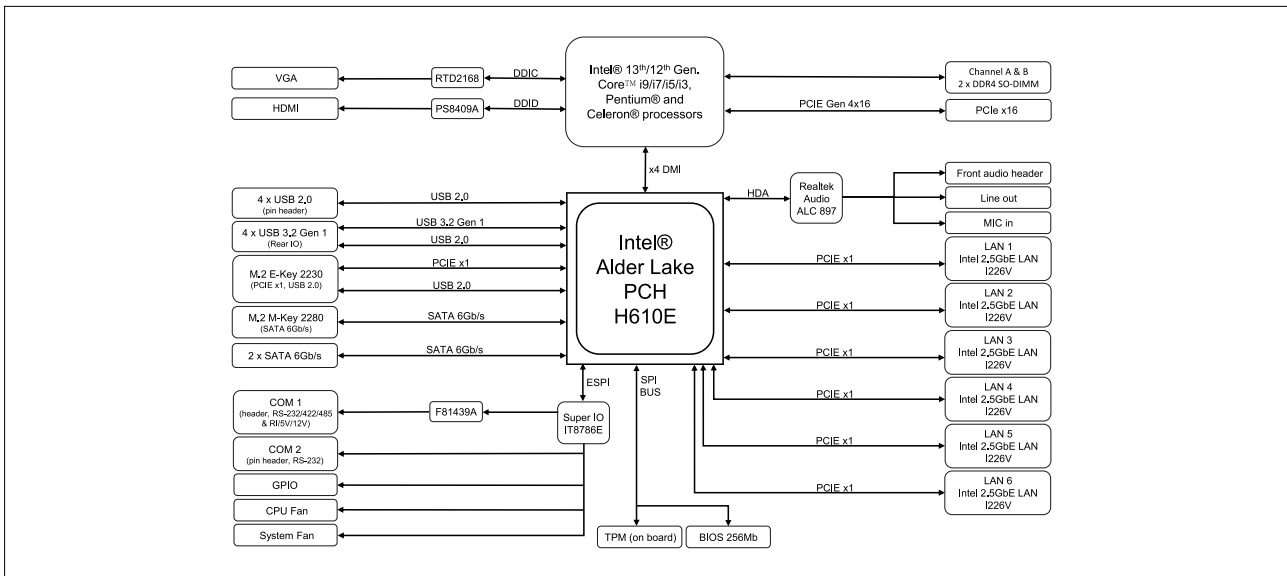
Form Factor	Mini-ITX 170W x 170D (mm)
CPU	Support for 13th/12th Generation Intel® Core™ i9/i7/i5/i3, Pentium® and Celeron® processors in the LGA1700 package TDP under 65W
Socket	1 x LGA 1700
Chipset	Intel® H610E Chipset
Memory	2 x DDR4 SO-DIMM sockets, Max. Capacity 64 GB Support Dual channel DDR4 3200 MHz memory modules
Ethernet	6 x 2.5GbE LAN Ports (Intel® I226V)
Video	Integrated Graphics Processor - depends on CPU: 1 x HDMI 2.0 port, supporting a maximum resolution of 4096x2160 @60Hz 1 x VGA port, supporting a maximum resolution of 1920x1080 @60Hz  (2 independent display outputs)
Audio	Realtek® ALC897
Storage	2 x SATA 6Gb/s Ports
Expansion Slots	1 x PCIe x16 (Gen 4x16) 1 x 2280 M.2 M-Key (SATA 6Gb/s) 1 x 2230 M.2 E-Key

Internal I/O	1 x 4-pin ATX main power connector 1 x SATA power connector 1 x CPU fan header 1 x System fan header 1 x Front panel header 1 x Front panel audio header 4 x USB 2.0 headers 1 x COM header (RS-232/422/485 & RI/5V/12V) 1 x COM header (RS-232) 1 x GPIO (8 bits) & SMBus header 1 x Clear CMOS jumper 1 x Buzzer header 1 x AT/ATX mode select jumper
Rear I/O	2 x Audio Jacks (Line out, Mic in) 1 x HDMI 1 x VGA 6 x RJ45 LAN Ports 4 x USB 3.2 Gen 1 1 x DC Jack (+12V/+19V~24VDC)
TPM	Onboard TPM 2.0 security chip Infineon SLB9670VQ2.0
OS Compatibility	Windows 10/11 (x64)
Operating Properties	Operating temperature: 0°C to 60°C Operating humidity: 0-90% (non-condensing) Non-operating temperature: -40°C to 85°C Non-operating humidity: 0%-95% (non-condensing)
Packing Content	Carton size: 465 x 351 x 217 (mm) Packing Capacity: 10pcs  Single Box size : 221 x 178 x 65 (mm)
Order Information	Including: IO Shield x 1 (P/N: 12AIO-MH61EC-00R) SATA power Cable x 1 (P/N: 25CRI-300B01-K1R) 9MH61ECIMR-SI (Box packing)

GIGAIPC reserves the right to modify or change technical data without prior notice.



## Block Diagram



## Optional Kit

Part No.	Description	Quantity
25ST0-037820-Y0R	CPU Cooler	1
12KRH-0A1700-00R	CPU Cooler Backplate	1

GIGAIPC reserves the right to modify or change technical data without prior notice.