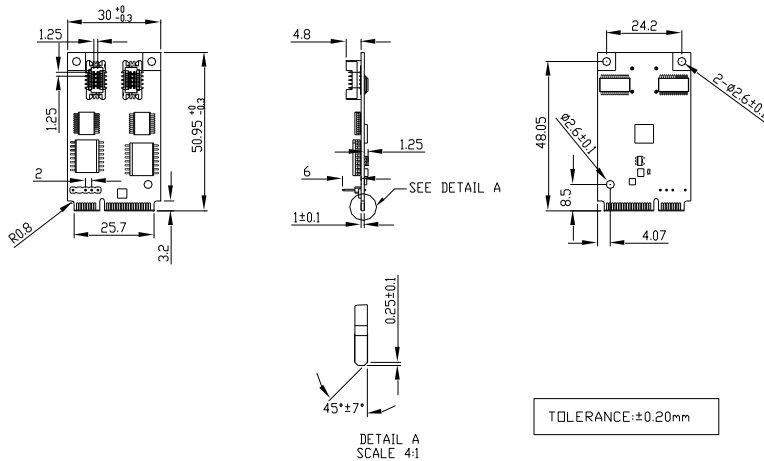


### Features

- USB specification Rev. 2.0 compliant
- Up to 1 Mbps serial data rate. 512-byte FIFOs
- Full RS232 functions with DB9 connector
- Supports port-to-port and port-to-computer isolation, complies with IEC 60950-1:2005 + A1: 2009 + A2:2013 2.5kV HiPOT protection
- Complies with EN61000-4-2 (ESD) Air-15kV, Contact-8kV
- Power LED, UART TX/RX access LED
- Supports 3<sup>rd</sup> mounting hole and USB Pin header for out-of-minicard installation
- Industrial temperature(-40 °C to 85 °C) operation
- 30μ " golden finger, 3 years warranty

### Mechanical Drawing



RS232 Pin Assignment

Signal	Pin
CD	1
RXD	2
TXD	3
DTR	4
GND	5
DSR	6
RTS	7
CTS	8
RI	9

USB Pin Assignment

Signal	Pin
5V	1
D-	2
D+	3
GND	4

### Specifications

**Headquarters (Taiwan)**  
5F., No.237, Sec. 1, Datong Rd.,  
Xizhi Dist., New Taipei City 221,  
Taiwan

Tel: +886-2-7703-3000  
Email: sales@innodisk.com

**Branch Offices:**

**USA**  
usasales@innodisk.com  
+1-510-770-9421

**Europe**  
eusales@innodisk.com  
+31-040-282-1818

**Japan**  
jpsales@innodisk.com  
+81-3-6667-0161

**China**  
sales\_cn@innodisk.com  
+86-755-2167-3689

[www.innodisk.com](http://www.innodisk.com)

© 2015 Innodisk Corporation.  
All right reserved. Specifications  
are subject to change without  
prior notice.

September 10, 2016

Form-Factor	mPCIe
Input I/F	USB 2.0
Output I/F	RS-232
Output Connector	DB-9 x 2
TDP	0.66W (3.3V x 200mA)
Dimension (WxLxH)	30 x 50.9 x 8.25 mm
Temperature	Operation: W/T: -40°C ~ +85°C Storage: -55°C ~ +95°C
Environment	Vibration: 5G @7~2000Hz, Shock: 50G @ 0.5ms
Notes	Please download driver from MyInnodisk website. Windows: XP(32 bit), 7(32/64 bit), 8/8.1(32/64 bit), 10, WES7 Linux: Kernel 2.6.x and above.(We can provide Linux source for modification.)

### Order information

**EMU2-X2S1-W1(Wide Temp.)**  
USB to Dual Isolated RS232 Module