

QBiX-Jetson-XavierAHP-A1

Industrial system with NVIDIA® Xavier™ NX System-on-Module, including Carmel CPU/ Volta GPU/ 8GB LPDDR4/ 16GB eMMC5.1



Features

- System Size : 210W x 169.8D x 55.2H (mm)
- 6-core NVIDIA® Carmel Arm® v8.2 64-bit Processor
- 384-core NVIDIA® Volta™ GPU with 48 Tensor Cores
- Fan-Less system
- AI, NVR, Surveillance Application

Graphic support	384-core NVIDIA® Volta™ GPU with 48 Tensor Cores 1 x HDMI port, supporting a maximum resolution of 3840x2160 @60Hz 1 x DP port, supporting a maximum resolution of 4096x2160 @60Hz
Storage	1 x 16GB eMMC 5.1 (Module) 1 x SATA 6Gb/s (Support 2.5" HDD/SSD)
Expansion Slots	1 x 3052 M.2 B-Key 1 x Mini PCIe slot 1 x 2230 M.2 E-Key 1 x SIM slot
Front I/O	1 x Power button 1 x HDD LED 1 x DIO 1 x DP 1 x HDMI 1 x USB2.0 Type Micro B 1 x SD slot (Micro SD) 1 x Recovery button 2 x External Antenna hole (option)
Rear I/O	4 x COM headers (RS232/422/485) 4 x USB3.0 ports 8 x GbE LAN ports with PoE 15W/port 2 x GbE LAN ports 1 x 3 pin Terminal Blcok
Side I/O	4 x External Antenna hole (option)
Power	54VDC (PoE support)
Operation Temperature	Operating temperature: -20°C to 70°C Operating humidity: 0-90% (non-condensing) Non-operating temperature: -40°C to 85°C Non-operating humidity: 0%-95% (non-condensing) Use wide temperature range memory and storage

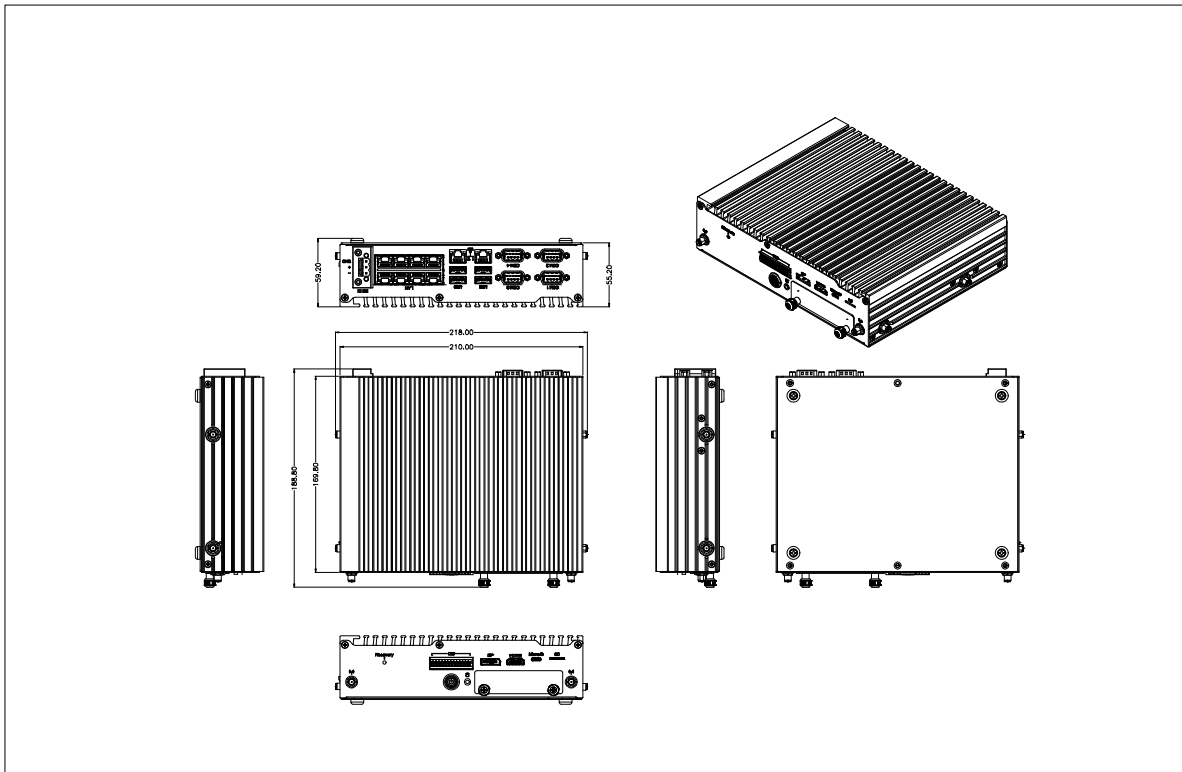
Specifications

Dimension	210W x 169.8D x 55.2H (mm)
CPU	6-core NVIDIA® Carmel Arm® v8.2 64-bit CPU 6MB L2 cache + 4MB L3 cache
Memory	8GB 128-bit LPDDR4 DRAM 1600MHz (Module)
Ethernet	8 x GbE LAN ports with PoE 15W/port, IEEE802.3af compliant, Total 120W 2 x GbE LAN ports

GIGAIPC reserves the right to modify or change technical data without prior notice.

Dimension

Unit: mm



Packing Content

- Box Packing Capacity: 4pcs
- Carton size: 523 x 297 x 339(mm)
- Content:
 - 54V/180W adapter x 1 (P/N:25EP4-101807-F3S)
 - Power cord x 1 (By region)
 - Screw for 2.5HDD/SSD, M3x4L x 4 (P/N:25984G-1C014-S00)

Order Information

- System: 9BQNXAVNAMR-SI

2021/09/06

GIGAIPC reserves the right to modify or change technical data without prior notice.