

M700DM8-4E

7" ARM A53 Rugged Android Tablet PC



KEY FEATURES

- ARM® A53 Octa Core Processor
- 7" 1280 x 720 TFT Panel with direct optical bonding
- Supports Android 7.0 OS
- Hot-swappable battery design
- IP65 waterproof and dustproof
- Rated for extreme temperature use
- Optional integrated 2D barcode reader

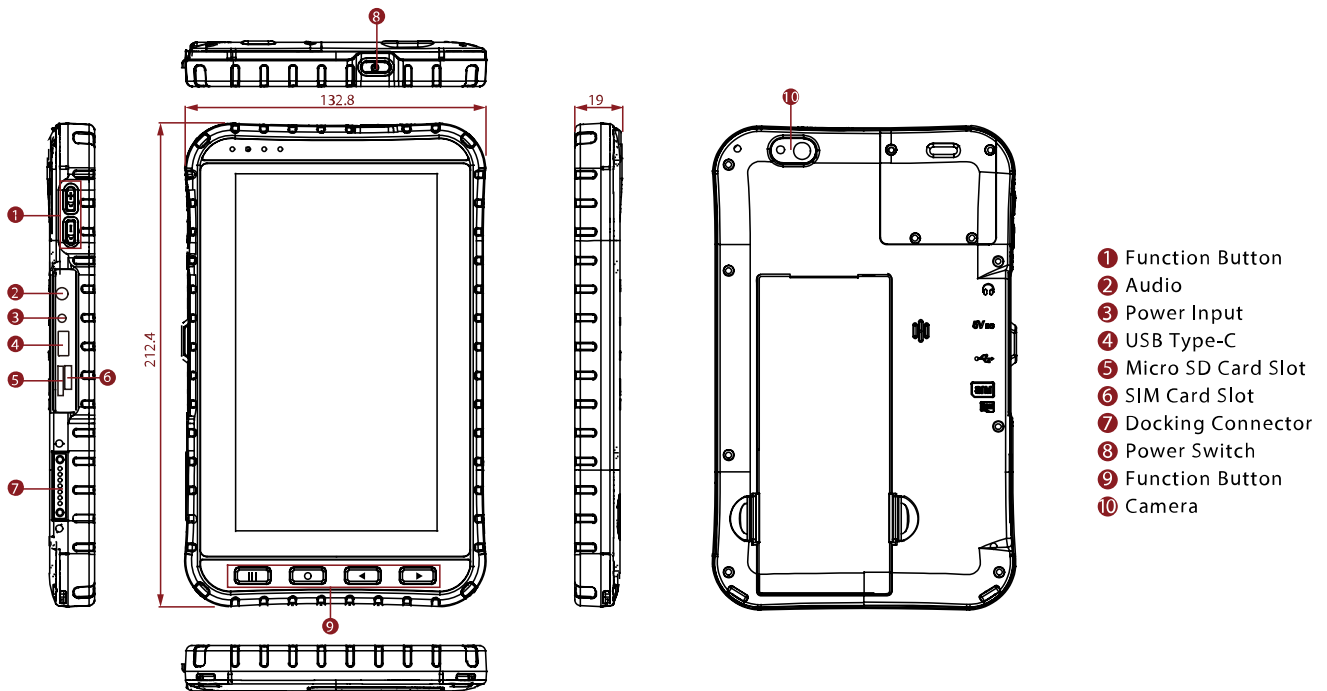


SPECIFICATIONS

Display			
Resolution	1280x720	Size	7.0 inches
Contrast Ratio	800:1	Panel Brightness	650 nits
View Angles	80,80,80,80	Type	Projected Capacitive Multi Touch
Touch Mode	Support Hand / Gloves and Rain Mode	Bonding	Optical Bonding for Sunlight Viewability
System Specification			
Processor	ARM A53 (Octa-Core 1.3 GHz)	Memory	2GB
Storage	16GB	Operating System	Android 7.0
WLAN	802.11 a/b/g/n mode	BT	BT Support
WWAN	4G/LTE	GNSS	GPS/AGPS
RFID	Default NFC (Read / Write, Peer to Peer mode)	Sensors	Ambient Light Sensor, E-Compass, Gyro, Acceleration Sensors, Automatic Screen Rotation
Camera			
Front Camera	2MP Camera	Rear Camera	8MP Camera with LED Auxiliary Light (Auto Focus)
Mechanical			
Dimension	212.4 x 132.8 x 19 mm	Weight	550g
IO Ports			
USB Port	1 x Micro USB	SD Card Slot	1 x Micro SD Card Slot
SIM Card Slot	1 x SIM Card Slot	Audio	1 x Audio Combo connector (Mic in or Line Out) 2 x Built-in Mic 1 x Speaker 1 x Receiver
Indicator	1 x LED indicator	Docking Connector	1 x Docking Connector
Environment			
Operating Humidity	5% to 95% RH, Non-Condensing	Operating Temperature	-10°C to 50°C (Battery mode)
Storage Temperature	-30°C to 70°C	Shock	MIL-STD-810G Method 516.6 Procedure I
Vibration	MIL-STD-810G Method 514.6 Procedure I	IP rating	IP65 Certified, Waterproof and Dustproof
Drop	MIL-STD-810G Method 516.6, 5 ft		
Certification			

Certification	CE, FCC		
Control			
Button	1 x Volume +/- , 1 x Power Button, 1 x Home Button, 1 x Menu Button, 1 x Return Button, 1 x Trigger Button		
Power			
Battery	3.7V 5300mAh Hotswappable Function (Optional)	Battery Operating Time	12Hr
Power Rating	5V	Adapter	5V 3A Adapter
Security Function			
SOTI MobiControl	SOTI MobiControl Compliance		
Accessory			
Accessory	Universal Adapter Battery Micro USB Cable	Optional Accessory	Battery Charging Dock Vehicle Dock (Charging + Connectors) Vehicle Dock (Charging Only) Desk Dock Hand Strap Micro SD Card Capacitive Touch Stylus Vehicle Adapter
Barcode Scanner			
Barcode Scanner	1D/2D Barcode Reader (Optional)		

DIMENSIONS UNIT:MM



NOTE

1. Total usable memory will be less dependent upon actual system configuration.
2. SOTI is available upon request
3. Length measurements do not include protrusions.
4. The drop test with a high-capacity battery must come with a hand strap
5. Measured at dimming LCD brightness. Varies depending on the usage conditions, or when an external device is attached.
6. Accessories and Integrated Options may vary depending on your configuration.
7. This is a simplified drawing and some components are not marked in detail.
8. The product shown in this datasheet is a standard model. For diagrams that contain customized or optional I/O, please contact the Winmate Sales Team for more information.