



I-8093W-G

High-speed 3-axis Encoder Module

Features

- 3-axis Encoder Inputs
- 1 MHz Input Rate for Quadrant Input Mode
- 4 MHz Input Rate for Pulse/Direction and cw/ccw Input Modes
- 32-bit Count Range
- 2500 Vdc Optical Isolation



Introduction

I-8093W is a high-speed 3-axis encoder module. Its each axis can be independently configured as one of Quadrant, Pulse/Direction or CW/CCW input mode. The maximum input rate for Quadrant mode is 1 MHz, and for Pulse/Direction and CW/CCW modes is 4 MHz.

The high-end specifications of I-8093W and complete software support make it ideal for wide range applications in position measurement of motion systems for industrial and laboratory environment.

System Specifications

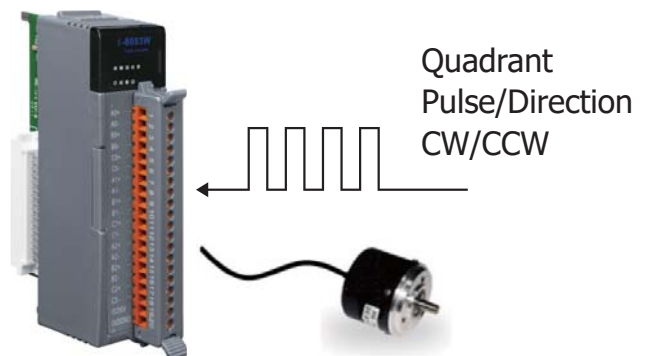
LED Indicators/Display	
System LED Indicators	1 as Power Indicator
I/O LED Indicators	9 as Status Indicator
Isolation	
Intra-module Isolation, Field-to-Logic	2500 Vdc
EMS Protection	
ESD (IEC 61000-4-2)	±4 kV Contact for each Terminal
Power	
Power Consumption	Max. 2 W
Mechanical	
Dimensions (W × L × H)	30 mm x 115 mm x 102 mm
Environment	
Operating Temperature	-25 ~ +75 °C
Storage Temperature	-40 ~ +85 °C
Humidity	10 ~ 90% RH, Non-condensing

I/O Specifications

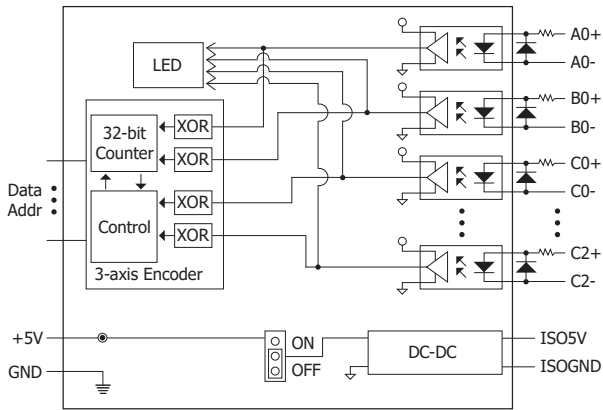
Encoder Input	
Resolution	32-bit
No. of Axes	3-axis
Mode	1. Quadrant Counting 2. CW/CCW 3. Pulse/Dir
Counting Rate	1. Quadrant Counting: 1 MHz 2. CW/CCW: 4 MHz 3. Pulse/Dir: 4 MHz

Applications

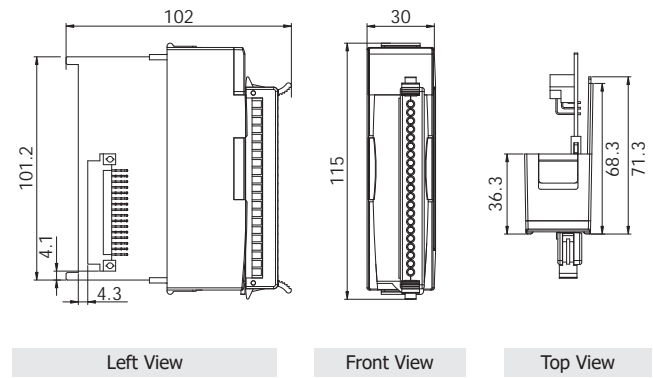
- Position Measure of Motion System



Internal I/O Structure



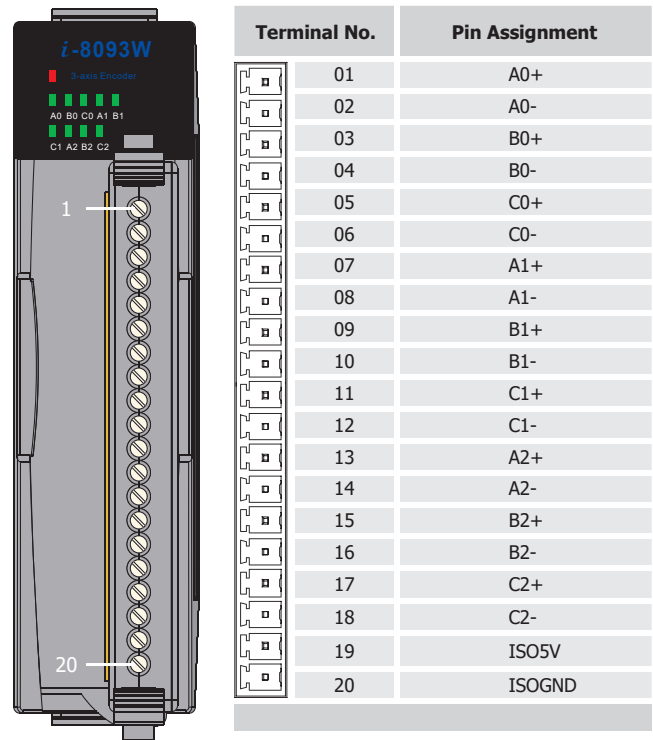
Dimensions (Units: mm)



Wire Connections

Input Type	ON State LED ON Readback as 0	OFF State LED OFF Readback as 1
Relay Contact	Relay ON 	Relay OFF
	Voltage > 4V 	Voltage < 0.8V
NPN Output	Open Collector ON 	Open Collector OFF
	Open Collector ON 	Open Collector OFF

Pin Assignments



Ordering Information

I-8093W-G CR	High-speed 3-axis Encoder Module (Gray Cover) (RoHS)
---------------------	--