



## Main Features

- Compact and fanless design
- Built-in GPS receiver with optional dead reckoning function
- Variety of wireless communication options
- Built-in CAN bus 2.0B. Optional OBD SAE J1939
- Wide range DC input from 9~36V
- Smart power management with Ignition on/off delay via software control and low voltage protection
- Certified by CE/FCC/E13 mark
- 5 x RS232 and 2 x RS485

## Product Overview

VTC 1020, a compact, rugged and entry-level vehicle computer with Intel® Atom™ x5-E3930 processor dual core 1.8GHz, is designed for the harsh in-vehicle environment. Because of the compact design, it is especially for the vehicles with limited space to locate the computer system, but without compromising with its space to scarify its features.

VTC 1020 has on board CAN 2.0B and optional OBD interface (SAE J1939) for vehicle diagnostics and driver behavior management. An advanced GPS receiver supports GPS/Gloness/QZSS/Galileo/Beidou and optional dead reckoning module is also available. VTC 1020 features WLAN and WWAN wireless data and voice connectivity. With external SIM socket, it allows user to access SIM card conveniently. 12VDC output can be provided for external display with easy power wire arrangement. VTC 1020 keeps the flexibility to meet different demands for telematics applications, such as infotainment, fleet management and patching system.

## Specifications

### CPU

- Intel® Atom™ x5-E3930 processor dual core 1.8GHz

### Memory

- 1 x 204-pin DDR3L SO-DIMM socket support 1867MHz up to 16GB. Default 4GB

### Expansion

- 1 x mini-PCIe socket (USB)
- 1 x mini-PCIe socket (PCIe + USB + mSATA)

### Function

- 1 x u-blox NEO-M8N module (support GPS/Gloness/QZSS/Galileo/Beidou) or optional module with Dead Reckoning
- Built-in G-sensor
- Built-in TPM

### I/O Interface-Front

- 1 x power button
- 4 x LED indicators for Status (programmable), Storage, WLAN and WWAN
- 1 x system reset button
- 2 x type A USB 3.0 compliant host, supporting system boot up
- 1 x DB-15 VGA
- 1 x HDMI
- 1 x SIM card socket

### I/O Interface-Rear

- 1 x 9~36VDC input with Ignition and 20W typical power consumption
- 1 x 12V/2A DC output, SMBus, power button
- 1 x RJ45 with LEDs for 10/100/1000Mbps Ethernet
- 1 x Audio-in, 1 x Audio-out
- 1 x DB9 COM port for 4 x RS232 Tx/Rx and 2 x RS485
- 1 x DB15 for multi port
  - 1 x CAN2.0 (optional SAE J1939)
  - 1 x RS232 Tx/Rx
  - 1 x odometer and direction for optional DR
  - 5 x programmable DIO
- Input voltage (internal type): 5VDC TTL (default)
- Input voltage (source type): 3~24VDC
- Digital output (sink type): 5VDC TTL (default), max current: 20mA
- Digital output (source type): 3~24VDC
- 3 x Antenna hole for SMA-type antenna (WWAN/WLAN/GPS)

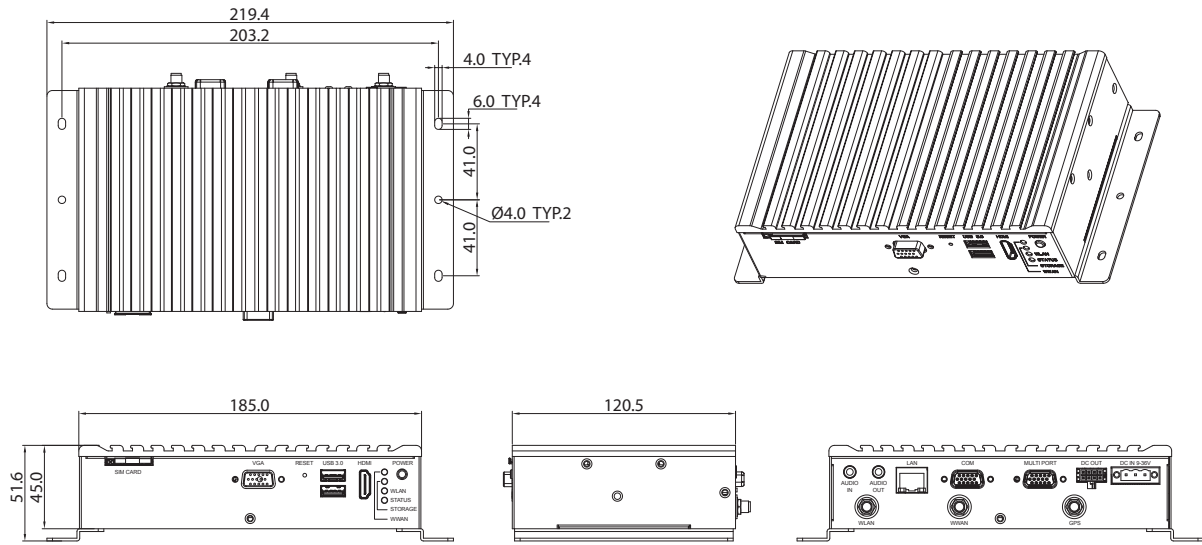
### Expandable Storage

- 1 x 2.5" SSD SATA 3.0
- 1 x mSATA

### Operating System

- Windows 10
- Linux YOCTO (by request)

## Dimension Drawing



### Power Management

- Selectable boot-up & shut-down voltage for low power protection
- HW design ready for 8-level delay time on/off at user's self configuration
- Power on/off ignition, software detectable
- Support S3, S4 suspend mode

### Dimensions

- 185mm (W) x 120mm (D) x 45mm (H) (7.3" x 4.7" x 1.8")
- 1 Kg (2.20 Lb)

### Construction

- Aluminum top case with sheet metal

### Environment

- -40°C to 70°C (w/ industrial SSD) with air flow
- Storage temperatures: -40°C to 85°C
- Relative humidity: 10% to 90% (non-condensing)
- Vibration:
  - Vibration (random): 2g @5~500 Hz
  - Operating: MIL-STD-810F, Method 514.5, Category 20, Ground Vehicle – Highway Truck
  - Storage: MIL-STD-810F, Method 514.5, Category 24, Integrity Test

- Shock:
  - Operating: MIL-STD-810F, Method 516.5, Procedure I, Trucks and semi-trailers=20g
  - Crash hazard: MIL-STD-810F, Method 516.5, Procedure V, Ground equipment=75g

### Standards/Certifications

- CE approval
- FCC Class B
- E13 mark

## Ordering Information

- **VTC 1020 (P/N: 10V00102001X0)**  
Intel® Atom™ x5-E3930 processor 1.8GHz with 4GB DDR3L, U-blox GPS module, GPS antenna and CAN 2.0B