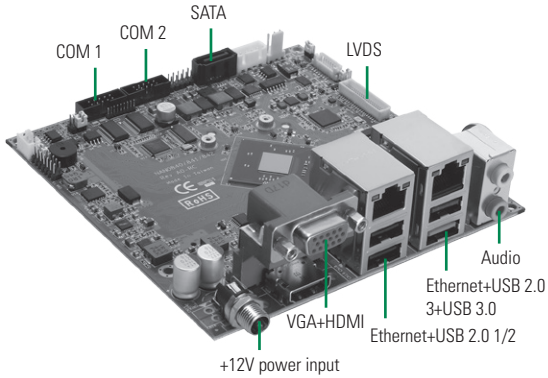


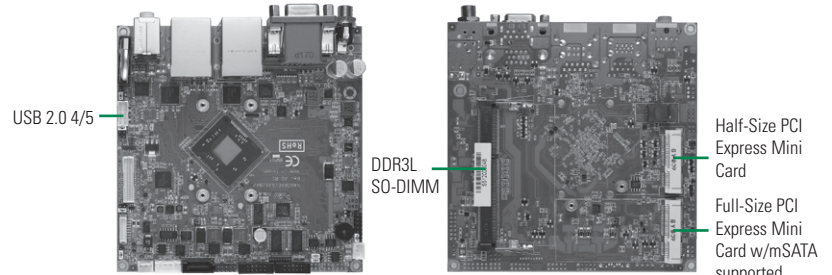
NANO842

Intel® Celeron® Processor J1900/N2807
Nano-TX SBC with LVDS/VGA/HDMI,
Dual LANs and Audio



Features

- Intel® Celeron® Processor J1900 (2.0 GHz) /N2807 (1.58 GHz)
- 1 DDR3L SO-DIMM supports up to 8GB memory capacity
- 5 USB 2.0 ports and 1 USB3.0 port
- 2 COM ports



▲ Top view

▲ Rear view

System

CPU	Intel® Celeron® Processor J1900 2.0 GHz quad core, N2807 1.58 GHz dual core onboard
System Memory	1 x 204-pin DDR3L-1066/1333 SO-DIMM max. up to 8GB
Chipset	SoC integrated
BIOS	AMI
SSD	N/A
Watchdog Timer	255 levels, 1~255 sec.
Expansion Interface	1 x Full-Size Mini PCI Express Mini Card w/mSATA supported 1 x Half-Size Mini PCI Express Mini Card
Battery Lithium	Lithium 3V/220mAH
Power Input	DC power jackconnector +12V DC-in AT Auto Power On function supported
Power Requirements	TBD
Size	120 x 120 mm
Board Thickness	1.6 mm
Temperature	-20°C ~ +70°C (-4°F ~ 158°F), operation
Relative Humidity	10% ~ 95% relative humidity, non-condensing

I/O

MIO	1 x RS-232/422/485 (COM2); with +5V/+12V powered
SATA	1 x SATA-300
Hardware Monitoring	Detect CPU/system temperature and voltage
Ethernet	2 ports 10/100/1000 Mbps supports Wake-on-LAN, PXE Boot ROM with Intel® i210IT
Audio	HD Codec audio as MIC-in/Line-out with Realtek ALC662
USB	5 x USB 2.0 1 x USB 3.0
SMBus	System Management Bus for advanced monitoring/control
Digital I/O	8 channels IN/OUT programmed
TPM	ST ST33TPM12LPC with TPM 1.2 compliant

Display

Chipset	Intel® integrated Gfx graphic engine
Memory Size	Share System memory
Display Interface	1 x VGA 1 x LVDS; 18/24-bit single/dual channel 1 x HDMI

Packing List

Standard

Quick installation guide, User's Manual/Utility CD and cable

Ordering Information

Standard

NANO842VHGGA-J1900	Nano-ITX SBC with Intel® Celeron® processor J1900 2.0 GHz and VGA/LVDS/HDMI, 2 GE, Audio and Gift Box
NANO842VHGGA-N2807	Nano-ITX SBC with Intel® Celeron® processor N2807 1.58 GHz and VGA/LVDS/HDMI, 2 GE, Audio and Gift Box