

A32

3MP Mini Bullet with D/N, Adaptive IR, Advanced WDR, SLLS, Fixed Lens



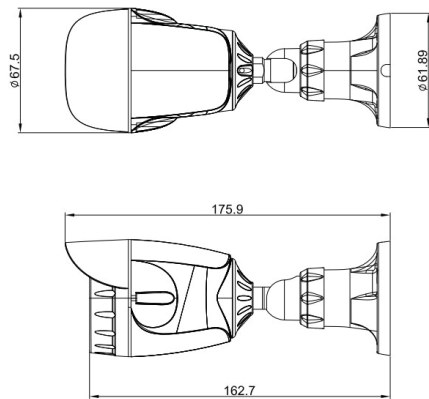
- 3 Megapixel
- Day & Night with Superior Low Light Sensitivity and Adaptive IR LED
- Fixed Lens with f3.6mm
- Advanced WDR
- 30 fps at 2048 x 1536
- Weatherproof (IP66)

PHOTO INDICATION




① Ethernet Port

DIMENSION DIAGRAM



Unit: mm [inch]

ACCESSORY OPTIONS

Power Supply		
PPOE-0001		IEEE 802.3af PoE Injector for Class 1, 2 or 3 devices, with universal adapter

PRODUCT SPECIFICATION**A32****• Device**

Device Type	Outdoor Bullet Camera
Image Sensor	Progressive Scan CMOS
Sensor Size	1/2.8"
Effective Pixels	2065 (H) x 1553 (V) (3.21 MP)
Horizontal Resolution	1300 TVL
Day / Night	Yes
Low Light Sensitivity	Superior
Mechanical IR Cut Filter	Yes
IR LED	Adaptive IR LED
IR Working Distance	30 m
Electronic Shutter	1/5 ~ 1/64,000 sec (manual and auto mode)
S/N Ratio	56 dB

• Lens

Focal Length	Fixed, f3.6 mm
Aperture	F2.0
Iris / Focus	Fixed iris / Fixed focus

• Video

Compression	H.265, H.264, MJPEG
Max. Frame Rate vs. Resolution	30 fps at 2048 x 1536, 30 fps at 1920 x 1080, 30 fps at 1280 x 960, 30 fps at 1280 x 720, 30 fps at 800 x 600, 30 fps at 640 x 480, 30 fps at 320 x 240
Multi-Streaming	Simultaneous dual streams based on two configurations
Privacy Mask	4 Configurable regions
Image Enhancement	Advanced WDR (72 dB), White balance: automatic, manual, Brightness, Digital image stabilizer, Contrast, Sharpness (auto), Auto gain control, Flickerless, 2D + 3D Digital noise reduction, Defogging
Text Overlay	User defined text on video
On-Screen Graphics	Yes
Built-in Analytics	Tampering Detection
Image Orientation	Mirror, Flip, Rotation

• Network

Protocol & Service	IPv4/v6, TCP, UDP, DHCP, PPPoE, HTTP, HTTPS, DNS, DDNS, NTP, RTP, RTSP, RTCP, SMTP, FTP, IGMP, ICMP, ARP, Bonjour, UPnP, QoS, SNMP
Ethernet Port	1, Ethernet (10/100 Base-T), RJ-45 connector
Security	IP address filtering, HTTPs encryption, Password protected user levels, Anonymous login

• Alarm

Alarm Trigger	Video motion detection (3 regions), Tampering detection
Alarm Response	Notify control center, Change camera settings, Command other devices, E-mail notification with snapshots, Upload video or snapshot to FTP server

• General

Power Source / Consumption	PoE Class 3 / 7 W (PoE, IR on)
Dimensions (Ø x H)	67.5 mm x 175.4 mm (2.65" x 6.91")
Weight	410 g (0.90 lb)
Environmental Casing	Weatherproof (IP66)
Mount Type	Integrated bracket
Starting Temperature	-10°C ~ 50°C (14°F ~ 122°F)
Operating Temperature	-20°C ~ 50°C (-4°F ~ 122°F)
Approvals	CE, FCC, IP66

• Integration

Unified Solution	Fully compatible with ACTi software
ISV Integration	Software Development Kit (SDK) available; ONVIF compliant
GPS Position	Manual setting
Firmware Access Browser	Microsoft Internet Explorer 8.0 or newer