

AR-PA8XXFL-E3845/N2930

Features

- 7"/8"/10.1"/12.1"/15" Industrial Compact Size Panel PC
- Flat front panel touch screen
- Fanless design
- Intel Bay Trail N2930(1.83GHz) CPU built-in/E3845(1.91GHz) for option
- Onboard 2GB DDR3L-1600MHz / 4GB(option)
- 9~36VDC wide-ranging power input
- IP65 compliant front panel
- Optional projected capacitive touchscreen support 7H anti-scratch surface



Specification

Model Name	AR-PA807(P)FL-E3845 / N2930	AR-PA808(P)FL-E3845 / N2930
System		
CPU	Onboard Intel Bay Trail N2930(1.83GHz) Processor / E3845(1.91GHz) for option	
System Chipset	Intel Bay Trail SoC	
System Memory	Onboard 2GB DDR3L-1600MHz / 4GB(option)	
Display		
Display Type	7"	8"
Max. Resolution	800 x 480	800 x 600
Max. Color	262 K	262 K
Luminance (cd/m ²)	350	350
Contrast Ratio	400 : 1	500 : 1
View angle(H°/V°)	H:140° / V:110°	H:140° / V:125°
Backlight Lifetime	40,000(hrs)	40,000(hrs)
Touch screen - Resistive Touch Window Type		
Type	Resistive Touch Windows	
Interface	USB	
Light Transmission	Resistive Touch Windows: 80%	
Touch screen - Projected Capacitive Type		
Type	Projected Capacitive Touch(For P Model)	
Interface	USB	
Light Transmission	Projected Capacitive Touch: 90%	
I/O Port		
USB	1 x USB 2.0 type A + 1 x USB 3.0 type A	
Serial/Parallel	1 x RS-232 DB-9(COM2) + 1 x DB-9 RS-232/422/485 (Default RS-232)(COM1)	
Audio/HDMI	1 x Audio Line Out / 1 x HDMI Port (reserved, no printing)	
LAN	2 x GbE LAN RJ-45	
Power	1 x 3-pin Terminal Block DC Power input + 1 x 2-pin connector for power on/off button	
Storage		
HDD	1 x SATA MO-297 SSD bay (Easy Accessible)	
Movable device	1 x SD card slot, up to 32GB	
Expansion		
On board expansion bus	1 x Internal mini PCIe slot (full size)	
Power Requirement		
Power Input	9~36V DC	
Power Consumption	Max:14.1W / 13.7W(P)	Max:10.8W / 13.9W(P)
Software		
OS Support	Windows Embedded Compact 7, Windows Embedded Standard 7, Windows Embedded 8 Standard, Windows Embedded 8.1 Industry	

Mechanical

Color	RAL 9007	
Construction	Aluminum Die-casting Front Bezel and Chassis	
Mounting	Panel Mounting, VESA 75 x 75	
Dimension (mm)	202 x 149 x 40	231 x 176 x 50
Net Weight (KG)	1.2 Kg	1.9 Kg

Environmental

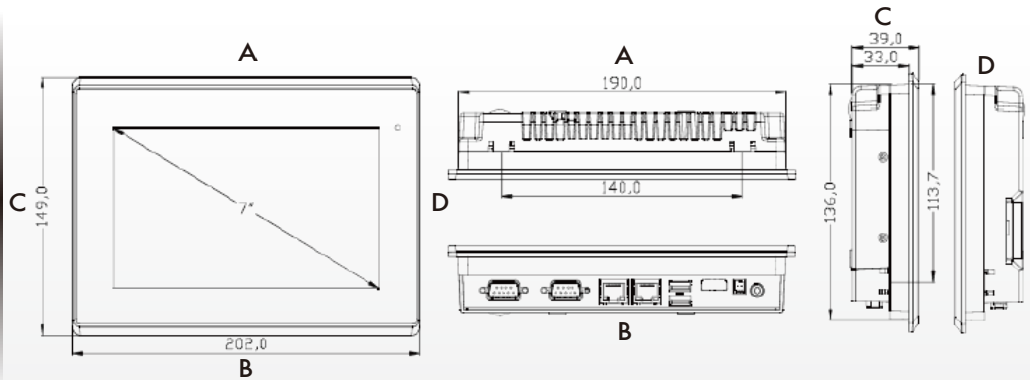
Operating temperature(°C)	0~50°C
Storage temperature(°C)	-20~60°C
Storage humidity	10 to 90% @ 40°C, non- condensing
Certification	CE, FCC CLASS A, CB, UL

Ordering Information

AR-PA807(P)FL	7" WVGA Fanless HMI barebone with Intel N2930 / E3845 CPU, 2GB DDR3 RAM, Resistive touch screen, 9~36V DC input with adapter / Projected Capacitive touch screen, Aluminum chassis
AR-PA808(P)FL	8" SVGA Fanless HMI barebone with Intel N2930 / E3845 CPU, 2GB DDR3 RAM, Resistive touch screen, 9~36V DC input with adapter / Projected Capacitive touch screen, Aluminum chassis

Dimension

AR-PA807(P)FL



AR-PA808(P)FL

