

# cPCIS-3300BLS series

## 9U Rackmount PICMG 2.16 & 2.9 6U CompactPCI Blade Server Sub-system



cPCIS-3300BLS Front View



cPCIS-3300BLS Rear View



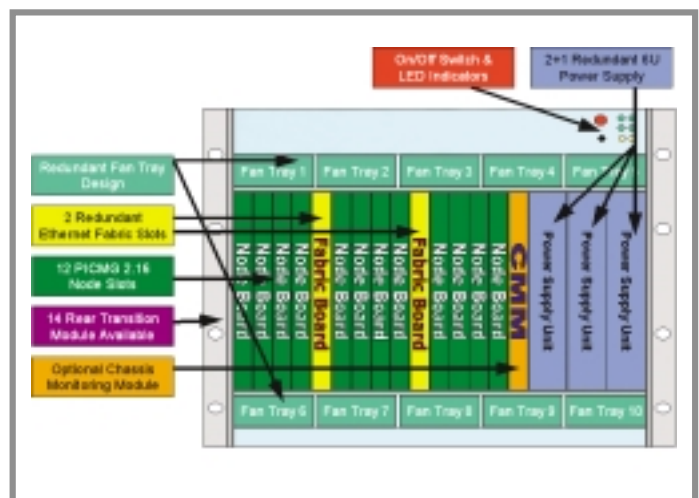
- The ADLINK cPCIS-3300BLS 9U Packet Switching Blade Platform is equipped with high flexibility, high density, high availability and high manageability, configurable for both high computing and mission critical 24/7 applications. Supplemented by industry standard 6U CompactPCI computing blades, cPCIS-3300BLS hosts up to 12 configurable blade slots with dual redundant switch blades. The state-of-the-art PICMG 2.16 packet switching open architecture provides dual Gigabit Ethernet connections of up to 24Gbps switching bandwidth inside without any external Ethernet cabling. 2+1 hot-swap redundant 6U CompactPCI power supply modules provide 800W+400W power source for the whole system. Also the hot-swappable redundancy design of the cooling system guarantees continuous cooling for all blades and power supply modules.

### Features

- Standard 6U CompactPCI and PICMG 2.16 open architecture
- Dual PICMG 2.16 fabric slots for switching-HA
- Total 21-slots, including configurable 12 node slots, 2 fabric slots, 3 redundant 6U 8HP CompactPCI power modules and 1 optional CMM slot
- 2+1 hot swappable 800W+400W redundant system power supply with Universal AC input
- PICMG 2.9 compliant backplane with FAL#, DEG# sense and INH# control for each power module
- Optional PICMG 2.9 with IPMI CMM for remote monitoring and controlling whole system via Ethernet
- Guarded power switch and reset button
- Redundant cooling architecture
- Magnetic circuit breaker protection for AC-input
- Designed to meet NEBS Level 3 installation

### Applications

- High availability mission critical applications
- High performance technical computing for scientific or image processing
- ISP/Enterprise HA web/Email hosting/Application Server
- Redundant security blade include Firewall/VPN/IDS/Traffic Management
- Media Gateway
- Signaling Gateway
- Multi-access switch
- MSC/BSC/RNC
- HLR/VLR
- Multimedia on demand (MOD)



cPCIS-3300BLS Component Layout

# cPCIS-3300BLS series

## 9U Rackmount PICMG 2.16 & 2.9 6U CompactPCI Blade Server Sub-system

### Specifications

CompactPCI Standards	2.0 R3.0; 2.1 R2.0; 2.9 R1.0; 2.11 R1.0; 2.16 R1.0
Form Factor	6U cPCI with 80 mm depth rear I/O
Enclosure	EIA RS-310C 19" 9U high rack-mount enclosure Coated metal plate outer covering Guarded power switch and reset button
Basic Alarm Module (Model dependent)	Monitoring inner chassis temperature, fan status Abnormal status will generate alarm and LED warning Alarm reset (silence of beeper) LED indications show power voltage status on 5V, 3.3V, 12V and -12V
Remote Chassis Monitoring Module (Model dependent)	Same as basic alarm function plus: Monitors boards via the Intelligent Platform Management Interface (IPMI) Monitors backplane voltages and status for up to eight power supplies System event logging for abnormal status Remote login and management via LAN or Modem Remote reset control for compute blades Web-based GUI for both remote and stand-alone application
Cooling System	Front-access hot-swappable fan trays for in-take and ventilation 12V DC brush-less, dual ball bearing 5 fans for in-take and 5 fans for ventilation Rated speed for each fan: 4000 ± 500 RPM Rated power for each fan: 2.64W Air flow for in-take: 241 CFM Air flow for ventilation: 241 CFM
Power Supply	Supports up to 3 in-rack 6U cPCI 8HP power modules Supports current sharing on 5V, 3.3V and 12V PICMG 2.11 47-pin power interface Available power module: cPS-H640/AC (400W redundant)
Backplane	cBP-6614A: 14-slot PICMG 2.16 6U cPCI Blade Server Backplane without CT Bus
Dimension	483.2 x 399 x 299.1 (mm, WxHxD, w/o handle)
Weight	23 Kg (including 800W + 400W redundant power supply and backplane)
Operating temperature	0 to 45° C
Storage temperature	-20 to 80° C
Humidity	5% to 95%, non-condensed
Shock	15G peak-to-peak, 11ms duration, non-operation
Vibration	Non-operation: 1.88Grms, 5-500Hz, each axis Operation: 0.5Grms, 5-500Hz, each axis, test with 2.5" HDD
Safety or Certificate	CE, FCC class A
NEBS	Design for NEBS Level 3

### Ordering Information

Model number	Description/Configuration
cPCIS-3300BLS	9U Rackmount PICMG 2.16 & 2.9 CompactPCI Blade Server Sub-System with basic alarm module, without pre-installed PSU
cPCIS-3300BLS/AC	9U Rackmount PICMG 2.16 & 2.9 CompactPCI Blade Server Sub-System with basic alarm module, with pre-installed Universal AC input PSUx3
cPCIS-3300BLS/M	9U Rackmount PICMG 2.16 & 2.9 CompactPCI Blade Server Sub-System with CMM, without pre-installed PSU
cPCIS-3300BLS/M/AC	9U Rackmount PICMG 2.16 & 2.9 CompactPCI Blade Server Sub-System with CMM, with pre-installed Universal AC input PSUx3

Note: EMC blank panels are optional. All models above do not include any node or fabric board.