



# HBFD632(W) Series

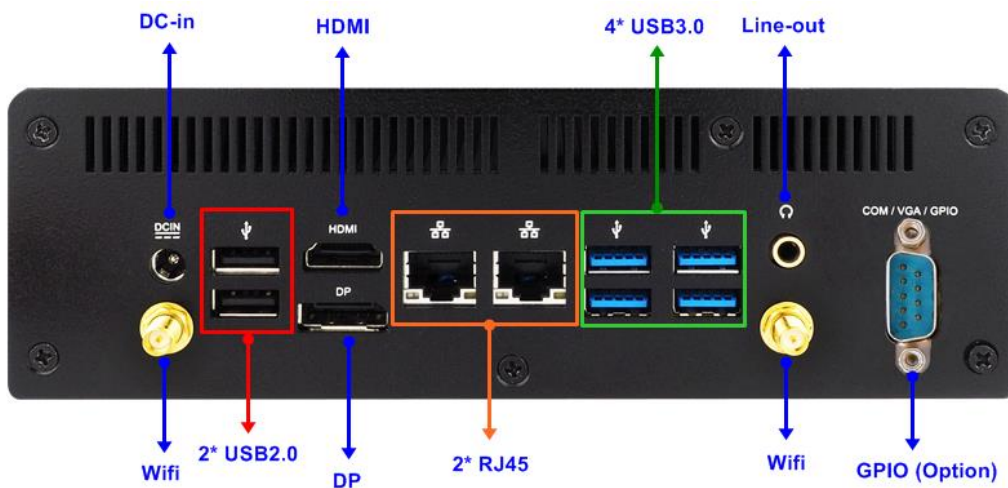


1. Intel® Skylake/Kabylake U Processor
2. Support 2\* SO-DIMM DDR4-2133 , up to 32GB memory
3. 4 \* USB2.0, 4 \* USB3.0, 1 \* HDMI, 1 \* DP, 2 \* RJ45, 4 \* COM (Max), 1 \* MIC, 1 \* Line out
4. Support Max. 4K display resolution
5. DC-12V\_60W FSP Adapter

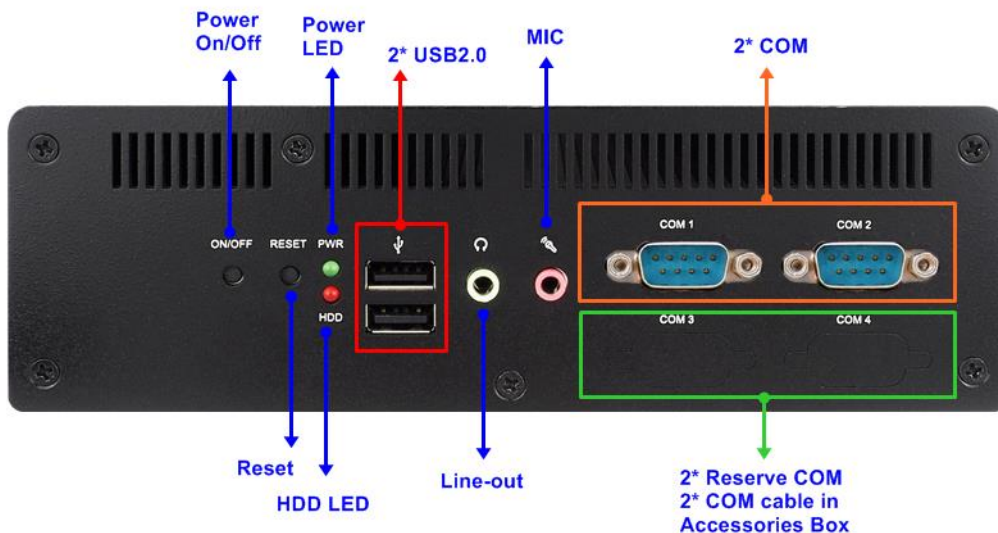


## External I/O

### Rear



### Front

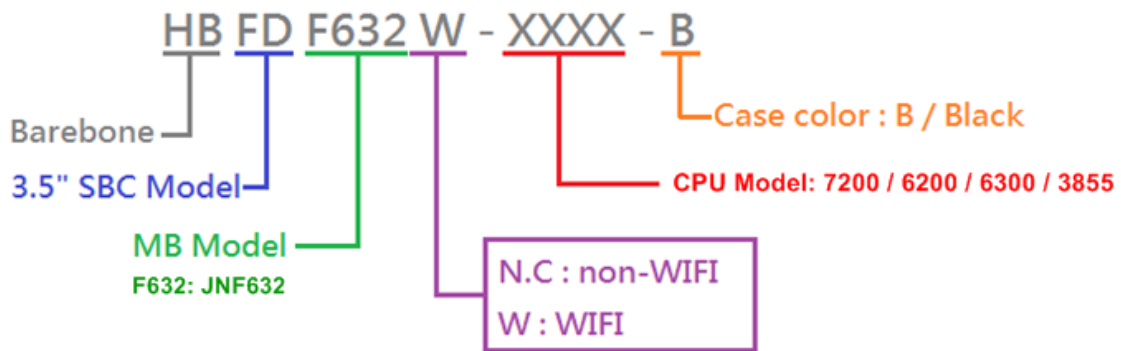


## Specifications

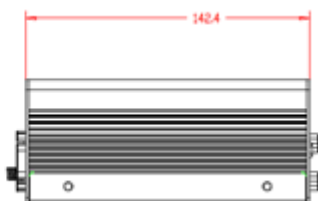
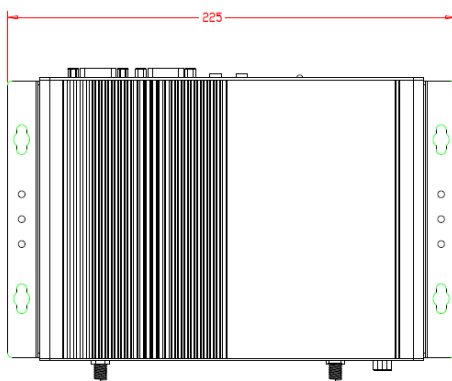
<b>MB Model</b>	<ul style="list-style-type: none"> <li>● JNF632E-XXXX / 3.5" SBC</li> <li>● Core Number : i5-7200U / i5-6200U / i5-6300U / Celeron 3855U</li> </ul>
<b>Part No</b>	<ul style="list-style-type: none"> <li>● HBFDF632-7200-B (non-WIFI) / HBFDF632W-7200-B (WIFI)</li> <li>● HBFDF632-6200-B (non-WIFI) / HBFDF632W-6200-B (WIFI)</li> <li>● HBFDF632-6300-B (non-WIFI) / HBFDF632W-6300-B (WIFI)</li> <li>● HBFDF632-3855-B (non-WIFI) / HBFDF632W-3855-B (WIFI)</li> </ul>
<b>BIOS</b>	<ul style="list-style-type: none"> <li>● AMI 128Mb SMT Flash ROM</li> </ul>
<b>CPU/Chipset</b>	<ul style="list-style-type: none"> <li>● Intel® Skylake/Kabylake U Processor (TDP 15W)</li> </ul>
<b>Memory</b>	<ul style="list-style-type: none"> <li>● 2 * SO-DIMM slots DDR4-2133MHz up to 32GB</li> </ul>
<b>Storage</b>	<ul style="list-style-type: none"> <li>● 1 * 2.5" SATA3 6Gb/s internal drive bay (only support 2.5" HDD with a height ≤ 10mm)</li> <li>● 1 * Mini-PCIe (full size, shared with mSATA)</li> </ul>
<b>Network</b>	<ul style="list-style-type: none"> <li>● 2 * Intel® GbE</li> <li>● 1 * half-size Mini-PCIe slot (for WiFi expansion)</li> </ul>
<b>Rear Panel I/O</b>	<ul style="list-style-type: none"> <li>● 2 * USB 2.0 , 4 * USB 3.0</li> <li>● 1 * HDMI (Max. resolution: 4096 x 2160@24Hz)</li> <li>● 1 * DP (Max. resolution: 4096 x 2304@60Hz)</li> <li>● 2 * RJ45</li> <li>● 1 * Line-out</li> <li>● 1 * GPIO (Optional )</li> <li>● 2 * Antenna holes (Optional)</li> <li>● 1 * DC-In jack</li> </ul>
<b>Front Panel I/O</b>	<ul style="list-style-type: none"> <li>● 1 * Power button , 1 * Reset button</li> <li>● 1 * Power LED , 1 * HDD LED</li> <li>● 2 * USB 2.0 ports</li> <li>● 1 * Line-out, 1 * MIC-in</li> <li>● 2 * COM (Default, max 4 COM, COM1 supports RS232/422/485, setting by BIOS)</li> </ul>
<b>Power Source</b>	<ul style="list-style-type: none"> <li>● FSP DC Adapter / DC12V-5A-60W / LV6</li> <li>● AC 90~240V input</li> </ul>
<b>Compliance</b>	<ul style="list-style-type: none"> <li>● CE, FCC, LVD, RoHS</li> </ul>
<b>Safety</b>	<ul style="list-style-type: none"> <li>● Vibration test: N.C</li> <li>● Shock test: N.C</li> </ul>
<b>Temperature</b>	<ul style="list-style-type: none"> <li>● Operating Temperature: 0~50° C</li> <li>● Storage Temperature: -10~70° C</li> </ul>
<b>Dimensions</b>	<ul style="list-style-type: none"> <li>● 193 (W) x 142.4 (D) x 62 (H) mm</li> </ul>
<b>Packing</b>	<ul style="list-style-type: none"> <li>● Net Weight: 2.2KG</li> <li>● Gross Weight: 3.2KG</li> <li>● Color Box dimension: 250 (W) * 118 (D) * 295 (H) mm</li> </ul>
<b>OS Support</b>	<p>Skylake CPU support Win7, Win8, Win10.            HBFDF632(W)-7200-B (Kabylake CPU) only support Win10.</p>
<b>Warranty</b>	2 Year limited warranty

\*Specifications subject to change without notice, not responsible for typographical errors. Does not include HDD or OS.

## Part Number Rule



## Mechanical Drawings (Unit = mm)



## Optional Accessories

Parts Number	Description
	HBFD632(W) Series
G03-JCFDF632QIGF	HBFD-NF632 QIG
G03-NF632E-F	IPC NF632E M/B User's Manual
G02-DVD25-A6-WF	Driver DVD-ROM
L01AS037-F	FSP Adapter 12V-5A-60W / LEVEL6
Change according to shipping area	Power cord
LCSCHBFDXXX-F	HBFX_Series Barebone Screw Pack
HCSFDMWM01B-F	FD Series Wall mount
HCS3XXDINRAILPS-F	DIN RAIL Clip
J05-ANT-AN2400-F	Antenna2G4 -2dBi R-AN2400-5701RS (Optional)
G01-COM-H2M20-1F	COM Cable
G01-GPIO9-M30D-F	GPIO CABLE (Optional)