

A61

3MP Indoor Zoom Dome with D/N, Adaptive IR, Extreme WDR, SLLS, 4.3x Zoom Lens



- 3 Megapixel
- Day & Night with Superior Low Light Sensitivity and Adaptive IR LED
- 4.3x Zoom Lens with f2.8-12mm / F1.4-2.8, P-Iris, Auto Focus (for installation)
- Extreme WDR (96 dB)
- 30 fps at 2048 x 1536

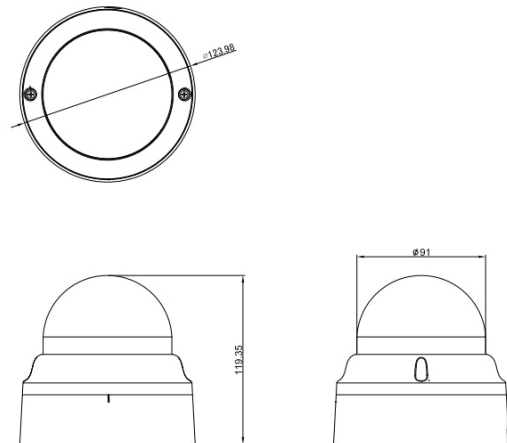
PHOTO INDICATION



1 DC 12V Power Input
Audio Input / Output
Video Output
Digital Input / Output
DC 5V Power Output

2 Memory Card Slot
3 Ethernet Port

DIMENSION DIAGRAM



Unit: mm

ACCESSORY OPTIONS

Power Supply		
PPOE-0001		IEEE 802.3af PoE Injector for Class 1, 2 or 3 devices, with universal adapter
PPBX-0002		AC 100-240V to DC 12V power adapter with universal connector

Popular Mounting Solutions	
Surface	Accessories not required
Wall	PMAX-0319
Pendant	PMAX-0114 PMAX-0103

PRODUCT SPECIFICATION

A61

• Device

Device Type	Indoor Zoom Dome Camera
Image Sensor	Progressive Scan CMOS
Sensor Size	1/2.8"
Effective Pixels	2065 (H) x 1553 (V) (3.21 MP)
Horizontal Resolution	1300 TVL
Day / Night	Yes
Low Light Sensitivity	Superior
Mechanical IR Cut Filter	Yes
IR Sensitivity Range	700 - 1150nm
IR LED	Adaptive IR LED
IR Working Distance	20 m
S/N Ratio	56 dB

• Lens

Focal Length / Aperture	Zoom, f2.8 - 12mm / F1.4 - 2.8
Zoom Ratio / Speed	4.3x optical
Zoom Application	Camera Installation
Iris	P-iris
Focus	Auto focus
Lens Mount	Board mount
Horizontal Viewing Angle	90.6°~32.7°
Viewing Angle Adjustment	Pan: -135°~135°; Tilt: 0°-90°; Rotation: -90°~90°

• Video

Compression	H.265, H.264 (Baseline/ Main/ High profile), MJPEG
Max. Frame Rate vs. Resolution	30 fps at 2048 x 1536; 30 fps at 1920 x 1080; 30 fps at 1280 x 720; 30 fps at 640 x 480; 30 fps at 320 x 240
Multi-Streaming	Simultaneous dual streams based on two configurations
Bit Rate	28 Kbps - 12 Mbps (per stream)
Bit Rate Mode	Constant, Variable
Privacy Mask	4 Configurable regions
Image Enhancement	Extreme WDR (142 dB), White Balance (Automatic, Manual, Hold), Brightness, Digital Image Stabilizer, Contrast, Sharpness (Auto), Auto Gain Control, 2D + 3D Digital Noise Reduction, Defogging, Flickerless
Text Overlay	User defined text on video
Built-in Analytics	Tamper
Image Orientation	Mirror, Flip, Rotation

• Audio

Compression	8kHz, Mono, PCM, 16 bit encoding, G.711
Audio-In	Mic in, Line in, Terminal block
Audio-Out	Line out, Terminal block

• Network

Protocol & Service	IPv4, IPv6, TCP, UDP, DHCP, PPPoE, HTTP, HTTPS, DNS, DDNS, NTP, RTP, RTSP, RTCP, SMTP, FTP, IGMP, ICMP, ARP, Bonjour, UPnP, QoS, SNMP
Ethernet Port	1, Ethernet (10/100 Base-T), RJ-45 connector
Security	IP Address Filtering, HTTPS Encryption, Password Protected User Levels, Anonymous Login

• Alarm

Alarm Trigger	Camera Tampering, Video Motion Detection (3 regions), External Device through Digital Input, Sound detection
Alarm Response	Notify control center, Change camera settings, Command other devices, E-mail notification with snapshots, Save video to local storage, Upload video or snapshot to FTP server, Activate external device through digital output

• Interface

Digital Input	1, Terminal block
Digital Output	1, Terminal block
Local Storage	MicroSDHC/SDXC memory card slot (card not included)

• General

Power Source / Consumption	PoE Class3, DC12V / 10 W, 8W
Weight	0.44 kg (0.97 lb)
Dimensions (Ø x H)	139.95 x 131.17 mm (5.51" x 5.16")
Mount Type	Surface, Pendant, Wall
Starting Temperature	-10°C ~ 40°C (-14°F ~ 104°F) within 30 minutes
Operating Temperature	-10°C ~ 40°C (-14°F ~ 104°F)
Operating Humidity	20% ~ 80% RH
Approvals	CE, FCC

• Integration

Unified Solution	Fully compatible with ACTI software
ISV Integration	Software Development Kit (SDK) available ONVIF compliant
GPS Position	Manual setting
Firmware Access Browser	Microsoft Internet Explorer 11.0