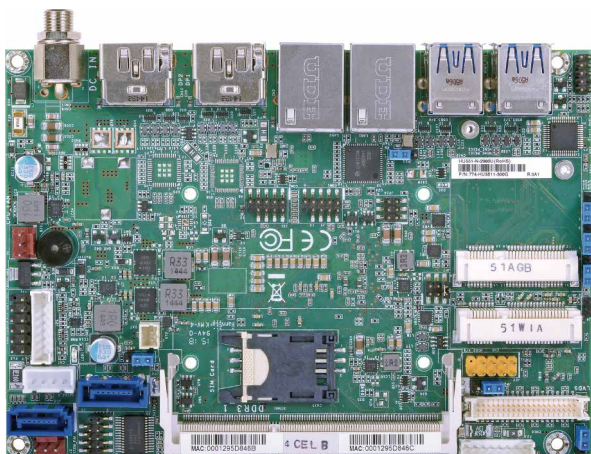


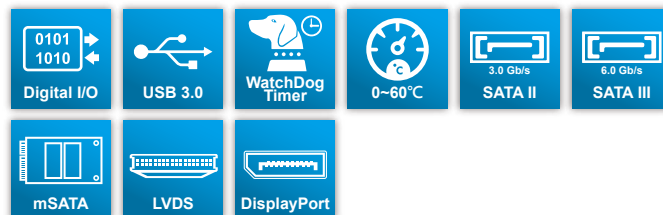
AMB-HW46S1

Intel 4th Generation Core i3/i5/i7, 2 x HDMI, 2 x DP/LVDS, 2 x GbE LAN,
3 x COM, 4 x USB3.0, 2 x USB2.0, 2 x mini PCIe, 2 x SATA 3.0



Features

- 3.5" Motherboard
- Onboard Intel 4th Generation i3/i5/i7 CPU
- Support 1 x LVDS, 2 x DP or 2 x HDMI
- 2 x GbE LAN, 3 x COM
- 4 x USB 3.0, 2 x USB 2.0,
- 2 x mini PCIe, 2 x SATA 3.0



Specification

Specification

CPU	Intel® 4th Generation Haswell Core i7-4650U, 1.70GHz
Chipset	N/A
Memory	1 x DDR3L-1333/1600MHz, SO-DIMM, up to 8GB
BIOS	AMI UEFI BIOS

Video

Graphic Controller	Intel® HD Graphics 5000
Video Interface	<ul style="list-style-type: none">• 1 x LVDS, 48-bit, dual channel, up to 1920 x 1200@60Hz• 1 x DP(default) or 2 x HDMI, HDMI:Up to 4096 x 2304@24Hz or 2560 x 1600@60HzDP:Up to 3200 x 2000@60Hz

Storage

SATA	2 x SATA III, Support RAID 0/1
------	--------------------------------

I/O

Ethernet	2 x RJ45 GbE LAN
Ethernet Chip	1 x Intel I210, 1 x Intel I218 phy
Expansion Slot	<ul style="list-style-type: none">• 1 x SIM slot• 2 x Mini PCIe(1 x full size, support USB, PCIe, mSATA, LPC, 1 x half size, support USB, PCIe, 3G)
Serial Port	3 x COM(1 x RS232/422/485, 2 x RS232)
USB	4 x USB 3.0 2 x USB 2.0
GPIO	8-bit Digital I/O
Audio	Realtek ALC888, 5.1channel High Definition Audio 1 x Line-out(by pin header), 1 x MIC-in(by pin header)

Power Requirement

Power Input	1 x 12V DC-in jack, Optional 4-Pin power connector
Power Output	2 x FAN Power connector

Software

OS Support	Windows 7 (32 bit/64 bit), Windows 8.1 (32 bit/64 bit), Linux(by request)
------------	--

Mechanical & Environment

Dimension	3.5" SBC
Operating Temp.	0~60°C
Storage Temp.	-20~75°C
Safety	RoHS

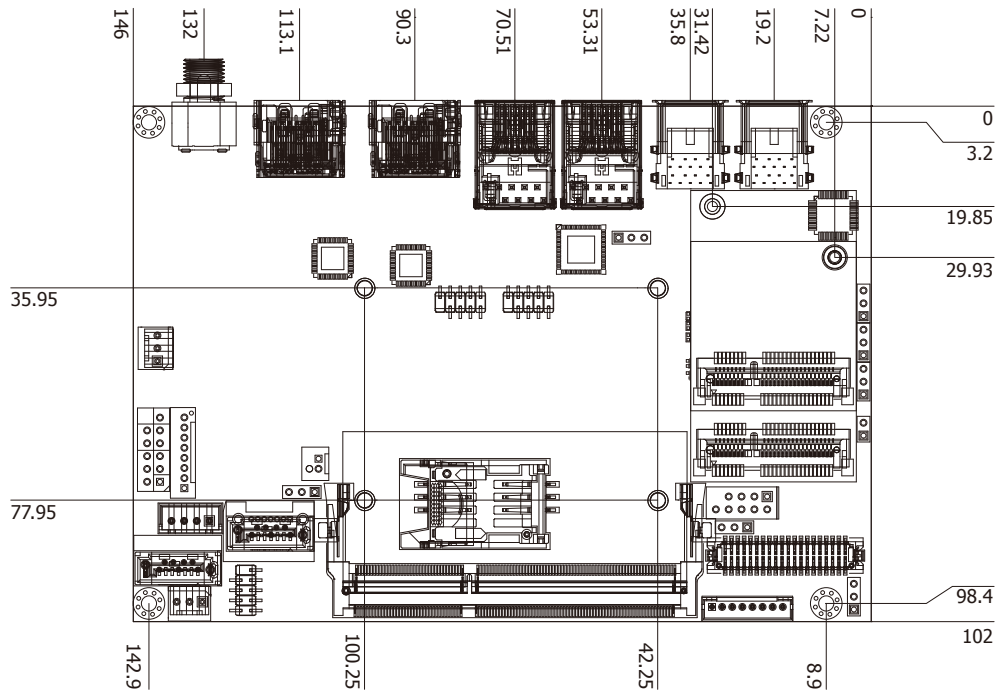
Packing List

- 1 x AMB-HW46S1
- 1 x Driver CD
- 1 x Quick User Guide
- 1 x I/O Shielding
- 1 x SATA Cable
- 1 x SATA power Cable

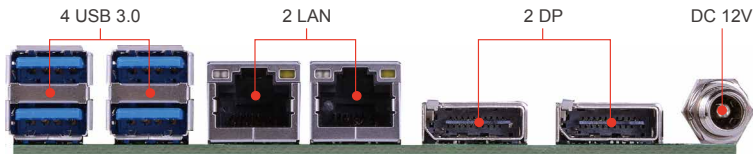
Ordering Information

AMB-HW46S1	Intel 4th Core i7-4650U, 1.70GHz, 2 x HDMI, 2 x DP/LVDS, 2 x GbE LAN, 3 x COM, 4 x USB3.0, 2 x USB2.0, 2 x mini PCIe, 2 x SATA 3.0
AMB-HW43S1	Intel 4th Core i5-4300U, 1.9GHz, 2 x HDMI, 2 x DP/LVDS, 2 x GbE LAN, 3 x COM, 4 x USB3.0, 2 x USB2.0, 2 x mini PCIe, 2 x SATA 3.0
AMB-HW40S1	Intel 4th Core i3-4010U, 1.7GHz, 2 x HDMI, 2 x DP/LVDS, 2 x GbE LAN, 3 x COM, 4 x USB3.0, 2 x USB2.0, 2 x mini PCIe, 2 x SATA 3.0
AMB-HW29S1	Intel Celeron 2980U, 1.6GHz, 2 x HDMI, 2 x DP/LVDS, 2 x GbE LAN, 3 x COM, 4 x USB3.0, 2 x USB2.0, 2 x mini PCIe, 2 x SATA 3.0

Dimension

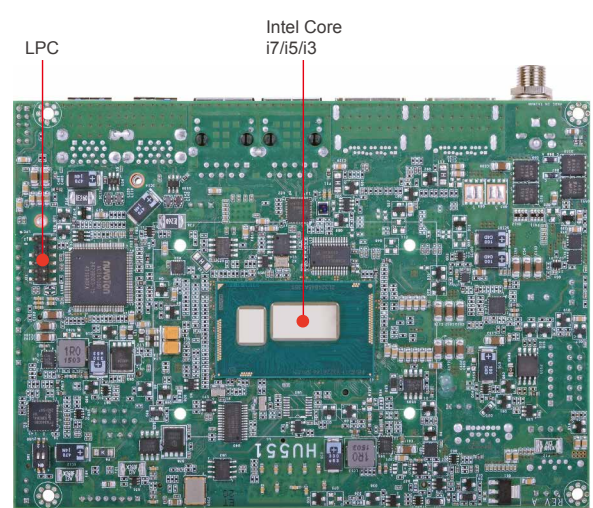
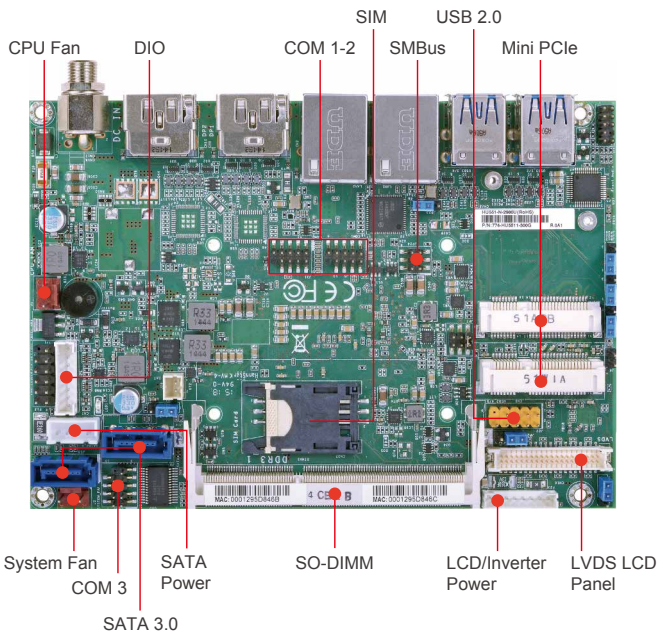


I/O Connectors



(Top View)

(Bottom View)



Specifications are subject to change without notice.