

1

What's in the shipping package?

The package includes the following items:



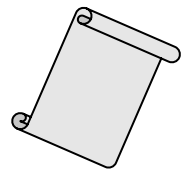
LP-9x21



A microSD card and a
micro SD/SD adapter



Software CD



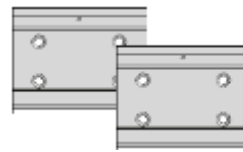
Quick Start
(This Document)



RJ-45 Waterproof
Assembly



M3x6L Screw*8



44 mm DIN-Rail
Clip * 2



Screw Driver
2.4 mm

2

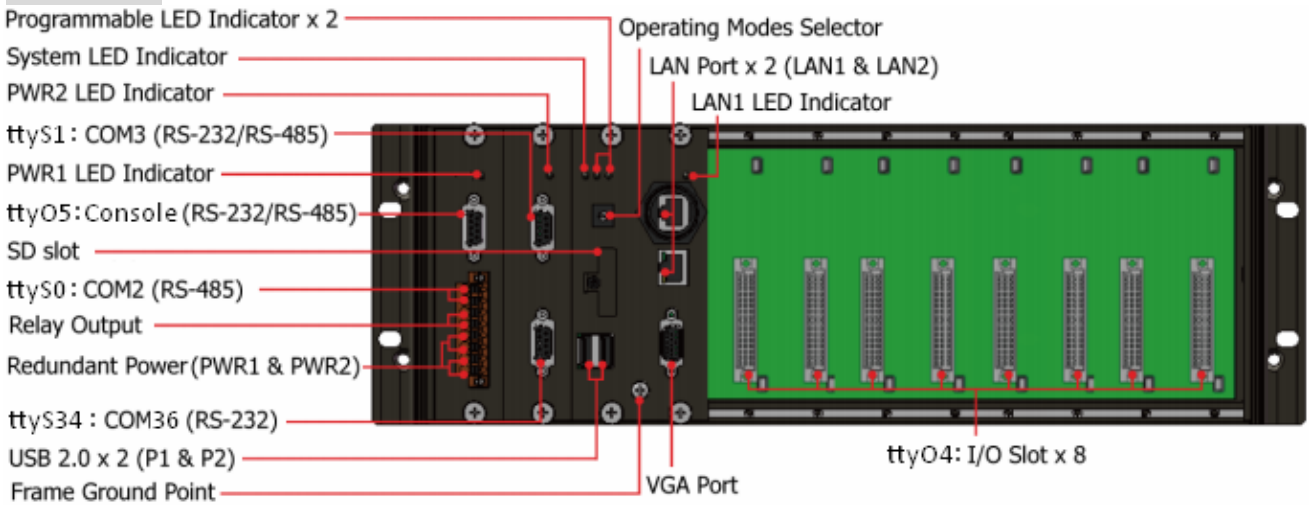
Preparations for devices

1. Power Supply: **+10 ~ +30 V_{DC}**. (Ex: DP-665)
2. Ethernet Hub. (Ex: NS-205)
3. Make sure your PC has workable serial port and network settings.

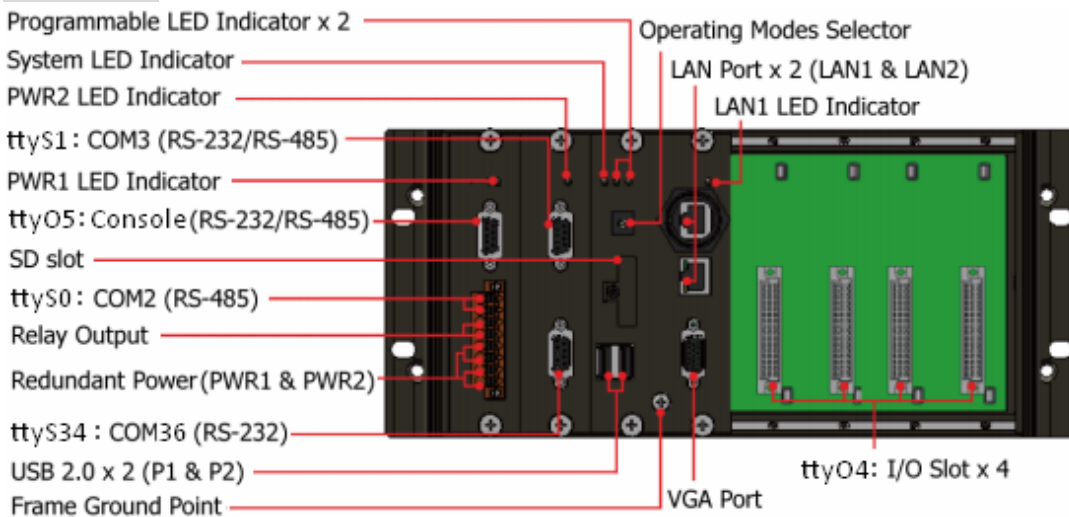
3

Hardware Introduction

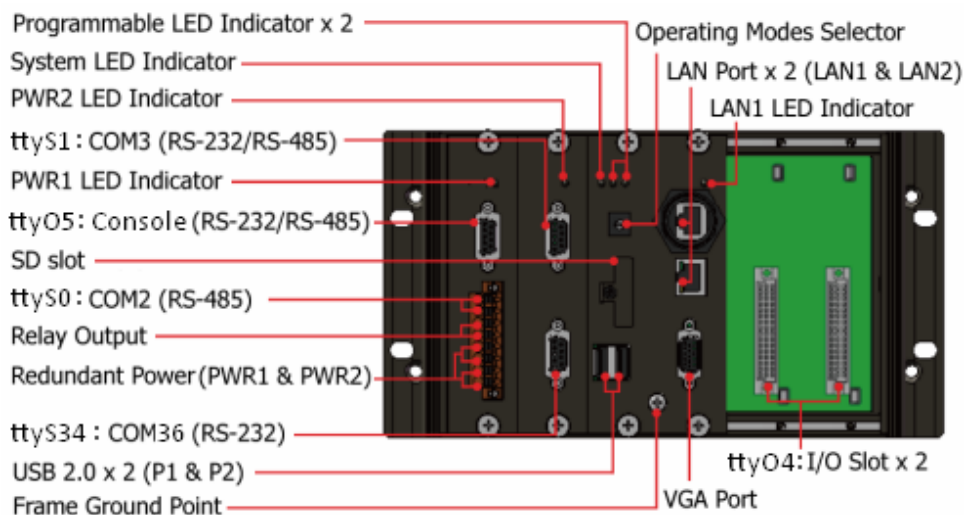
LP-9821



LP-9421

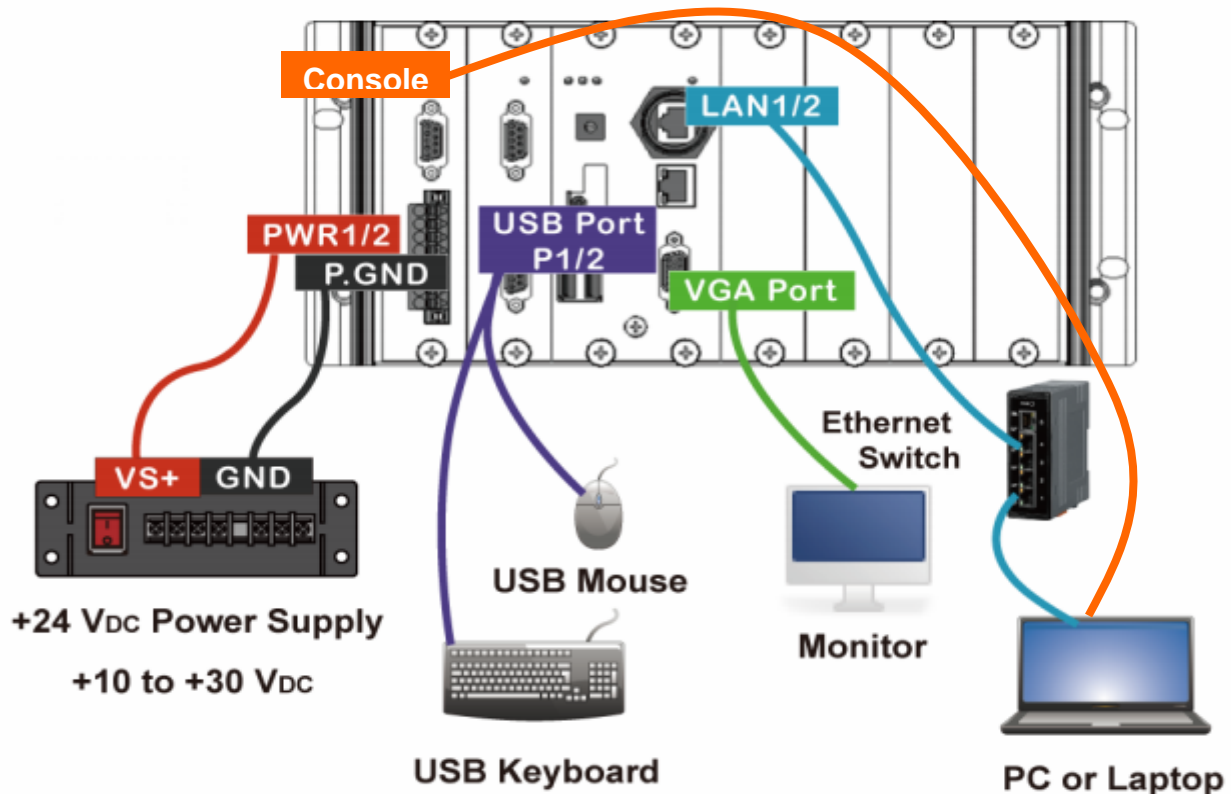


LP-9221



4

Console/Ethernet Connection



1. Connect both the LP-9x2x and your computer through the "Console" or "LAN 1/2". User can choose the terminal software (ex Putty or others) to connect the LP-x2x.
2. If user chose the COM1 ("Console"), user can set the baud rate "115200" to connect the device.

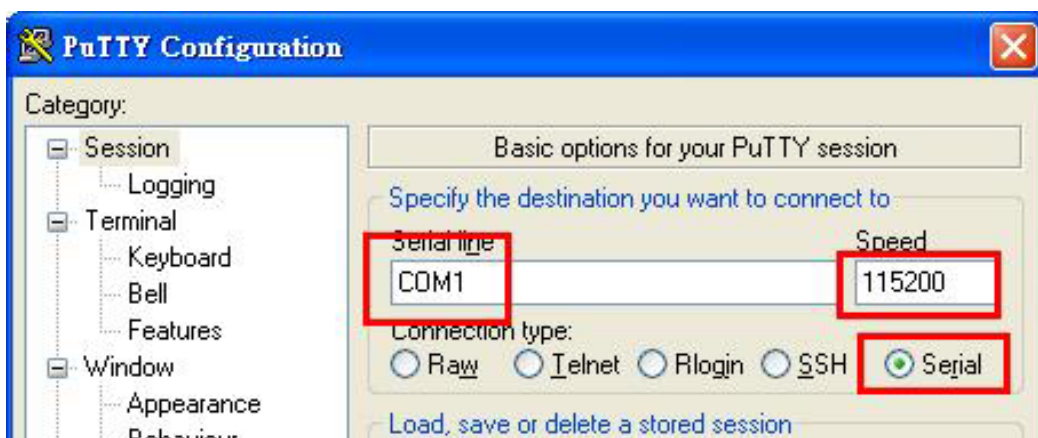


Fig 4-1 Console Connection

3. If user used the LAN 1/2, user can refer to below default network configuration, then using the terminal software (ex Putty or others) to connect the LP-9000.

LAN1	IP	192.168.0.1
	Netmask	255.255.255.0
LAN2	IP	192.168.0.2
	Netmask	255.255.255.0

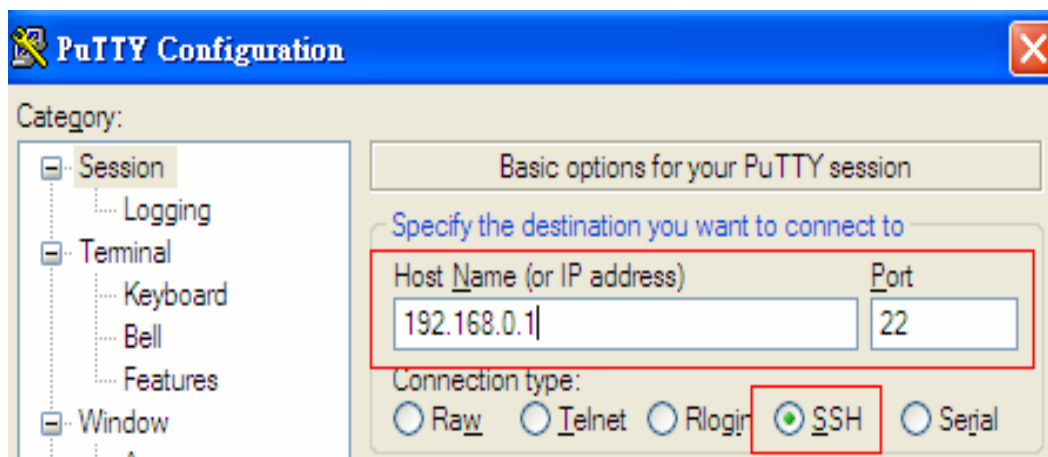


Fig 4-2 SSH Connection

4. After user connect to the LP-9000, user can input default ID "root" and password "icpdas" to login.

5 Network Configuration

1. After user follow step 4 "Console/Ethernet Connection" to connect to the device bash terminal, user can change the default network setting.
2. If user want to change the network configuration, user can use the linux command "vi" to modify the configuration file "/etc/network/interfaces".

- Using the '#' to mark the default configuration. Please refer to the Fig 5-1:

```
# interfaces(5) file used by ifup(8) and ifdown(8)

# loopback network interface
auto lo
iface lo inet loopback

# primary network interface
auto eth0 eth1
iface eth0 inet dhcp
#iface eth0 inet static
#address 192.168.0.1
#netmask 255.255.255.0

iface eth1 inet dhcp
#iface eth1 inet static
#address 192.168.0.2
#netmask 255.255.255.0
```

Fig 5-1 network configuration

- After user save the file and reboot device, user can use the new network configuration to connect to the LP-9x2x.

6 Application Support

1. Web Server

The web server daemon "**apache2**" has been built in the LP-9x2x and it will be started automatically at boot time.

2. Software Package Manager

The “apt-get” utility is a package manager used to download and install packages from local package repositories or ones located in the Internet.

3. XFCE GUI Desktop

LP-9x2x provides the XFCE package, after user type “root” to login, the local terminal would execute the XFCE Desktop.

7 Product Related Information

- LinPAC-9000 Product Page:

http://www.icpdas.com/root/product/solutions/pac/linpac/linpac-9000_introduction.html

- LinPAC-9x2x Document Download:

http://ftp.icpdas.com/pub/cd/linpac/napdos/lp-9x2x/user_manual/

- LinPAC-9x2x Software Download:

<http://ftp.icpdas.com/pub/cd/linpac/napdos/lp-9x2x/sdk/>

- NS-205 and DP-665 Product Page (optional):

<http://www.icpdas.com/products/Switch/industrial/ns-205.htm>

http://www.icpdas.com/products/Accessories/power_supply/dp-665.htm



ICP DAS Web Site: <http://www.icpdas.com>

Contact Us (E-Mail): service@icpdas.com , service.icpdas@gmail.com