

# Rugged Handheld Device 7"

**M700D**

Model Name : M700D

## Product Features:

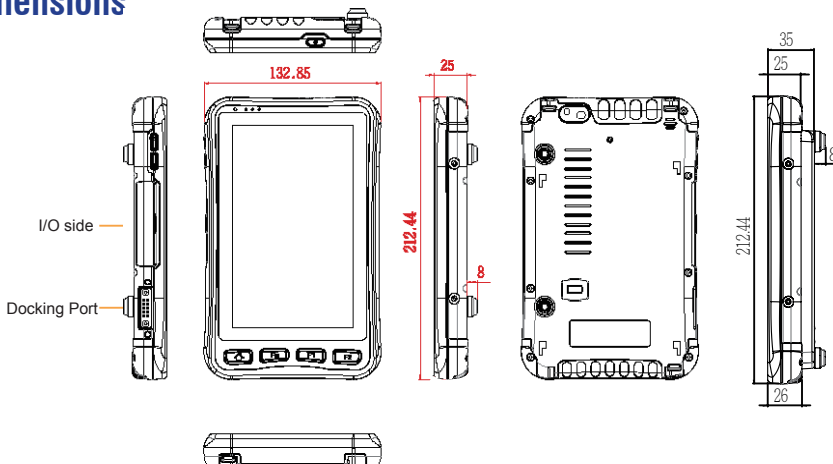
- Intel® Atom™ Processor Dual Core N2600 1.6 GHz
- 7"WSVGA(1024x600)TFT LCD Display
- Compliant with MIL-STD-810F
- Projected Capacitive Multi-Touch Screen
- 2.0M Camera in Rear Side(with LED auxiliary light, Auto Focus)
- G-sensor and Light sensor
- Built-in WLAN 802.11 2.4GHz b/g/n & Bluetooth 2.1+EDR
- Optional 3G & Neo-6 GPS
- Windows® 7 OS



## Product Specifications:

System Specification	Processor	Intel® Atom™ Processor N2600 1.6 GHz
	System Memory	2 GB DDR3 SDRAM(upgradable to 4 GB)
	Storage	32GB SSD(upgradable to 128 GB SSD)
	Operating System	Windows 7 WES7P (Optional Windows XP)
Display Specification	Size	7"
	Resolution	1024 * 600
	Brightness	500nit (typ.)
Wireless Communication	Touch	Projected Capacitive Touch
	WLAN	Support 802.11 2.4GHz b/g/n mode
	Bluetooth	2.1+EDR(Class 2)
	WWAN	Optional 3G(support HSPA/ UMTS / GPRS / WCDMA / GSM)
Mechanical and Environment	GPS	Built-in Neo-6 GPS module
	Dimensions (W x L x H)	212.4 x 132.8 x 25 mm (Standard)
	Weight	770g (Standard) / 1070g (with second battery)
	Operation Temperature	-10°C to 50°C / 14°F to 122°F
	Operation Humidity	95% RH (non condensing)
	IP Proof	IP65
	Shock	MIL-STD-810F Method 516.5
	Vibration	MIL-STD-810F Method 514.5
	Drop	MIL-STD-810F Method 516.5, 4 ft, Free to concrete
I/O Connectors	Certifications	CE, FCC
	External I/O	1 x USB 2.0 A Type 1 x Headset jack 1 x 2.5Ø 12V DC Power Input 1 x SIM Slot 1 x Micro SD Card 1 x Docking Port (For charge and USB)
Power Management	Internal Audio Device	1.2W Speaker
	Optional Battery	1 x Second battery
	Power input	12V DC in
	Power consumption	11.5W (under full loading)
	Battery	7.4V 2270mAh Li-Poly rechargeable battery (default) 7.4V 5200mAh Hotswap second battery (optional)
	Operating Time (normal using)	2.5 hours with main battery(embedded) 8 hours with additional hot-swap battery built-in
Field Service Features	Adapter	50W Adapter
	Camera	2.0M pixel Camera with LED auxiliary light(Rear Side , with Auto Focus)

## Dimensions



Accessories:	
Default	Quick Start Guide
	User Manual
	50W Adapter
Optional Items	5200mAh Second battery(Optional)

Rev.	Reasons	Revised Date
1.6	Spec Change	Jan.09.13
1.7	Spec Change	Feb.20.13
1.8	Spec Change	May.27.13